

## Hera-F65

### 9W Fixed LED Recessed Downlight



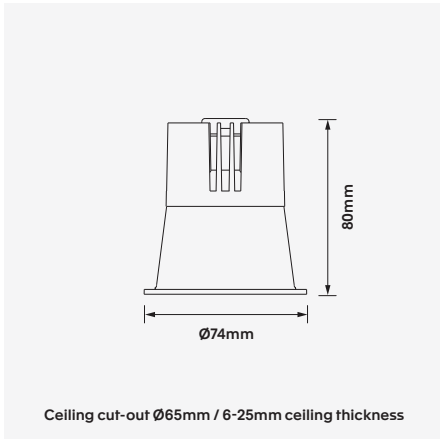
Luminaire Finishes

White (WH)  Black (BK)

Interchangeable Baffle Finishes

White (WH)  Black (BK)  Specular (SP)

Gold (GD)



#### Accessories

**HERA-F65-HC**  
Honeycomb louvre



**HERA-F65-ELIP**  
Elliptical lens



WATTAGE 9W
Ø 65
UGR <19
Bluetooth
Z
CE
WARRANTY 5YR

3-Step
CRI (Ra) >90
15° / 24° / 36°
IP 44
MAINS DIM

The Hera-F65 is a fixed, deep set LED luminaire providing low-glare light distribution in different beam options and baffle finishes. Made of high quality materials including a die cast aluminium housing and a high purity optical lens, Hera has been designed to be easy to maintain, adaptable and efficient.

Purpose built for a range of residential, commercial and hospitality applications, Hera-F65 integrates Zhaga compliant Bridgelux LED technology and a mains dimmable driver as standard with optional DALI-2 or Bluetooth dimming. Hera offers a 5 year warranty.

- Luminaire wattage: 9W (System 11W)
- Luminous flux: 883-980Lm<sup>2</sup>
- Luminaire efficacy: 83.63Lm/W<sup>1</sup>
- Correlated colour temperature: 2700K, 3000K, 4000K
- Colour rendering index: >90<sup>3</sup>
- Mac-Adams Ellipse: 3-SDCM
- LED brand: Bridgelux COB LED
- Glare control: UGR<19
- Symmetrical distribution: 15°, 24°, 36°
- Outer trim Ø74mm; Ceiling cut-out Ø65mm
- Ingress protection rating: IP44 standard (From underside)
- Luminaire finishes: White, Black
- Baffle Options: White, Black, Specular, Gold
- Longevity: >50,000Hrs L80 L10
- Driver: Mains-dimmable LED driver as standard
- Dimming: DALI-2, BLE (basicDIM Wireless / Casambi) on request<sup>4</sup>
- Weight: 210g (excluding driver)
- Warranty: 5 years<sup>5</sup>

Model	LED Output <sup>2</sup>	Luminous Flux <sup>2</sup>	LED Wattage	System Wattage	CCT	CRI <sup>3</sup>	Distribution
HERA-F65-9W-27K	1152Lm	883Lm	9W	11W	2700K	>90	15°, 24°, 36°
HERA-F65-9W-3K	1200Lm	920Lm	9W	11W	3000K	>90	15°, 24°, 36°
HERA-F65-9W-4K	1278Lm	980Lm	9W	11W	4000K	>90	15°, 24°, 36°

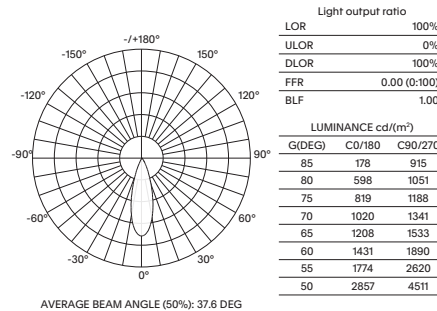
For Mains-dimming add suffix MD  
For DALI-2 dimming add suffix D  
For BLUETOOTH dimming add suffix BT

Example product order code configuration: HERA-F65-9W-3K-36-D-(WH/WH)

Model	Wattage	CCT	Distribution	Driver	Luminaire Finish / Baffle Finish					
HERA-F65	+	9W	+	3K	+	36	+	D	+	WH/WH

#### Light Distribution

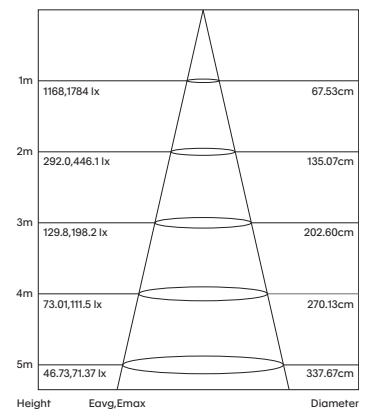
HERA-F65-9W-3K-36



Utilisation Factors

Room Reflectance	Room Index											
Ceiling   Walls   Floor	0.80	1.00	1.25	1.50	2.00	2.50	3.00	4.00	5.00			
	70	50	20	67	71	74	76	79	80	82	84	85

#### Cone Diagram



1 Luminaire efficacy based on CCT 3000K; CCT variations will alter efficacy  
2 +/- 10% stated initial LED and luminous flux tolerance  
3 Colour Rendering Index: >90 Standard (Bridgelux COB Series)  
4 Additional charges apply for non-standard colour/s, accessories and dimming options  
5 Five year manufacturer's warranty covering product defects and performance deficiencies