

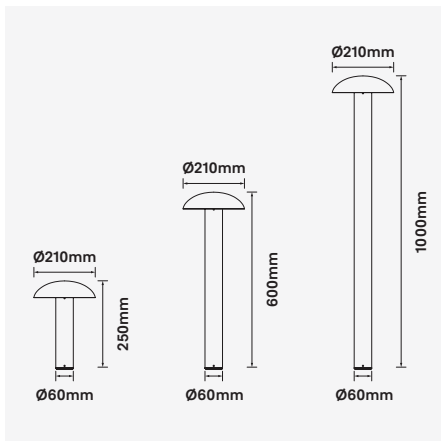
Enoki-BL

10W / 24W Mushroom Landscape Bollard



Luminaire Finishes

Black (BK) Silver (SV)



WATTAGE 10W / 24W

Ø 210

360°

IK 08

IP 65

backlit

CE

WARRANTY 5YR

3-Step

CRI (Ra) >80

Low Glare

Surface

Surface mounted LED architectural landscape luminaire series featuring low glare illumination and symmetrical distribution. With a classic mushroom head design, an IP65 weatherproof rating and IK08 impact rating, Enoki is the perfect choice for pathways and landscape applications.

Available in three sizes and two wattages to cater for a range of applications, the fitting also benefits from an indirect light source to provide high visual comfort. Manufactured from extruded 6063AL aluminium and polyester powder coated for exceptional durability and superior corrosion resistance, Enoki comes with a 5 year warranty.

- Luminaire wattage: 10W, 24W (System)
- Luminous flux: 907LmLm, 2087Lm²
- Luminaire efficacy: 90.7Lm/W, 86.96Lm/W¹
- Correlated colour temperature: 3000K, 4000K
- Colour rendering index: >80³
- Mac-Adams Ellipse: 3-SDCM
- Direct light output ratio (LOR): 100%
- Upward light output ratio (ULOR): 0.0%
- Symmetrical distribution: 360°
- Head Ø210mm x Height 250mm, 600mm, 1000mm
- Ingress protection rating: IP65
- Impact protection rating: IK08
- Luminaire finishes: Black, Silver
- Longevity: >50,000Hrs L70 B50
- Driver: Non-dimmable as standard
- Dimming: DALI-2 on request⁴
- Weight: 1.3Kg (250mm), 1.65Kg (600mm), 1.95Kg (1000mm)
- Warranty: 5 years⁵

Model	LED Output ²	Luminous Flux ²	System Wattage	CCT	CRI ³	Distribution
ENOKI-BLX-10W-3K	1155Lm	890Lm	10W	3000K	>80	360°
ENOKI-BLX-10W-4K	1179Lm	907Lm	10W	4000K	>80	360°
ENOKI-BLX-24W-3K	2660Lm	2045Lm	24W	3000K	>80	360°
ENOKI-BLX-24W-4K	2715Lm	2087Lm	24W	4000K	>80	360°

For Non-dimming add suffix ND
For DALI-2 dimming add suffix D

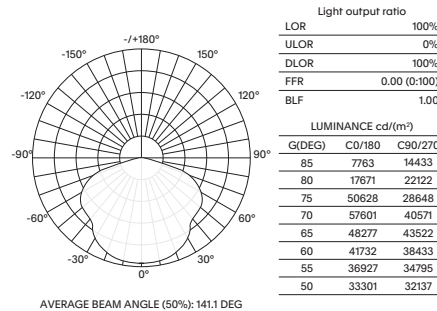
Replace X with 025 for 250mm length
Replace X with 060 for 600mm length
Replace X with 100 for 1000mm length

Example product order code configuration: ENOKI-BL100-24W-4K-360-ND-(BK)

Model	Wattage	CCT	Distribution	Driver	Luminaire Finish					
ENOKI-BL100	+	24W	+	4K	+	360	+	ND	+	BK

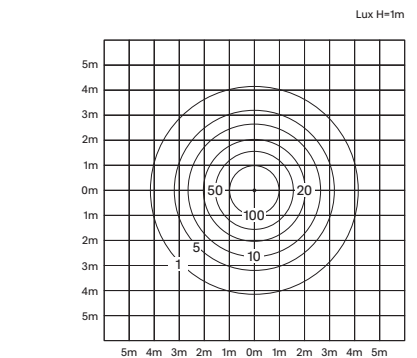
Light Distribution

ENOKI-BL100-24W-4K



Room Reflectance		Utilisation Factors									
Room Reflectance	Room Index	0.80	1.00	1.25	1.50	2.00	2.50	3.00	4.00	5.00	
Ceiling	70	50	58	66	72	81	86	91	97	101	
Walls	70	50	58	66	72	81	86	91	97	101	
Floor	70	50	58	66	72	81	86	91	97	101	

Cone Diagram



1 Luminaire efficacy based on CCT 4000K; CCT variation will alter efficacy
2 +/- 10% stated initial LED and luminous flux tolerance
3 Colour Rendering Index: >80 standard (Samsung SMD Series)
4 Additional charges apply for non-standard colour/s, and dimming options
5 Five year manufacturer's warranty covering products defects and performance deficiencies