

Muse-SM65

7W Fixed Micro Surface Mounted Downlight

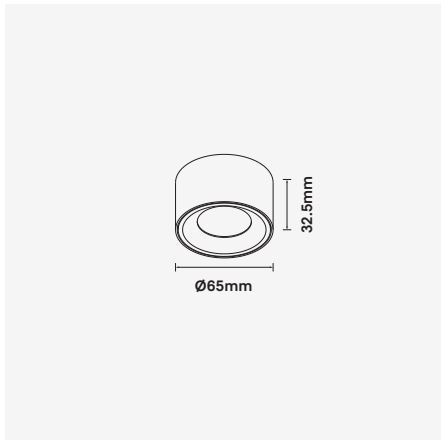


Luminaire Finishes

White (WH) Black (BK)

Baffle Finishes

Black (BK) Custom



WATTAGE 7W
CRI (Ra) >90
UGR <19
30°
IP 20
3-Step
Surface
MAINS DIM
WARRANTY 3YR

Micro surface mounted LED architectural luminaire providing optimised and efficient performance. Featuring set-back optics and a symmetrical distribution, Muse's minimal design is highlighted by its miniature size which incorporates a dimmable circuit as standard.

Die-cast constructed with a quality painted surface treatment, the Muse comes in a matt black or matt white exterior and black baffle. Custom colours are also available on request and includes a 3 year warranty.

- Luminaire wattage: 7W (System wattage)
- Luminous flux: 544-561Lm²
- Luminaire efficacy: 82.67Lm/W¹
- Correlated colour temperature: 3000K, 4000K
- Colour rendering index: >90³
- Mac-Adams Ellipse: 3-SDCM
- LED brand: DOB LED
- Glare control: <19
- Symmetrical distribution: 30°
- Outer trim: Width 65mm x Height 32.5mm
- Ingress protection rating: IP20
- Luminaire finishes: White, Black
- Baffle options: Black⁴
- Longevity: >50,000Hrs L70 B20
- Driver: Mains dimmable LED driver as standard
- Dimming: DALI-2 on request⁴
- Weight: 200g (inc. mains dimmable circuit)
- Warranty: 3 years⁵

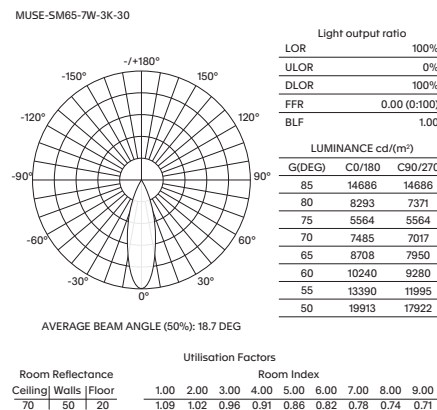
Model	LED Output ²	Luminous Flux ²	System Wattage	CCT	CRI ³	Distribution
MUSE-SM65-7W-3K	680Lm	544Lm	7W	3000K	>90	30°
MUSE-SM65-7W-4K	705Lm	561Lm	7W	4000K	>90	30°

For Mains dimming, add suffix MD⁵
For DALI dimming, add suffix D⁵

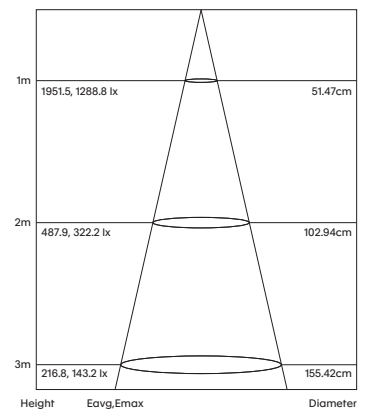
Example product order code configuration: MUSE-SM65-7W-3K-30-MD-(WH/BK)

Model	Wattage	CCT	Distribution	Driver	Luminaire Finish / Baffle Finish
MUSE-SM65	7W	3K	30	MD	WH/BK

Light Distribution



Cone Diagram



1 Luminaire efficacy based on CCT 3000K; CCT variation will alter efficacy
2 +/- 10% stated initial LED and luminous flux tolerance
3 Colour Rendering Index; >90 Standard
4 Charges apply for non-standard colour/s and dimming options
5 Three year manufacturer's warranty covering product defects and performance deficiencies