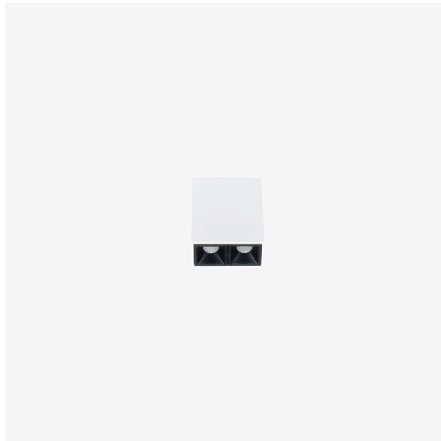


Linie-SM2C

4W Fixed Surface Mount Linear Downlight

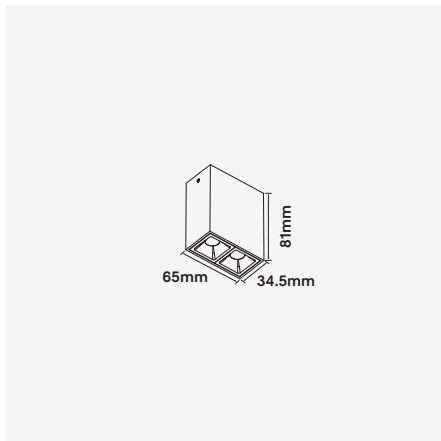


Luminaire Finishes

- White (WH) Black (BK)

Interchangeable Baffle Finishes

- White (WH) Black (BK) Gold (GD)
 Specular (SP) Rose Gold (RG)



Accessories

LINIE-SM-REC-LENS
Product No: LINIE-REC-LENS
Rectangular Distribution



LINIE-SM-SQR-LENS
Product No: LINIE-SQR-LENS
Square Distribution



WATTAGE 4W
UGR <19
CRI (Ra) >90
Bluetooth
Z
ball
CE
WARRANTY 5YR

3-Step
15° / 30° / 45°
IP 20
Surface

Fixed, surface mounted, LED architectural downlight series provides symmetrical, low-glare light distribution within a compact, linear housing. Available in a variety of baffle finishes to suit different applications and interior spaces.

Comes quality constructed using a die-cast aluminium structure with high grade polycarbonate secondary baffle optics. Integrating Bridgelux LED technology with a quality branded control gear, the Linie series comes with a 5 year warranty.

- Luminaire wattage: 4W (System 6W)
- Luminous flux: 230Lm-295Lm²
- Luminaire efficacy: 48.33Lm/W¹
- Correlated colour temperature: 2700K, 3000K, 4000K
- Colour rendering index: >90³
- Mac-Adams Ellipse: 3-SDCM
- LED brand: Bridgelux SMD LED
- Glare control: <19
- Symmetrical distribution: 15°, 30°, 45° Square and rectangular optics optional⁴
- Outer trim: Width 34.5mm x Length 65mm x Height 81mm
- Ingress protection rating: IP20
- Luminaire finishes: White, Black
- Baffle options: Black, White, Specular, Gold, Rose Gold
- Longevity: >50,000Hrs L80 B10
- Driver: Non-dimmable as standard
- Dimming: Remote DALI-2, BLE (basicDIM Wireless / Casambi) on request⁴
- Weight: 180g (inc. non-dimmable driver)
- Warranty: 5 years⁵

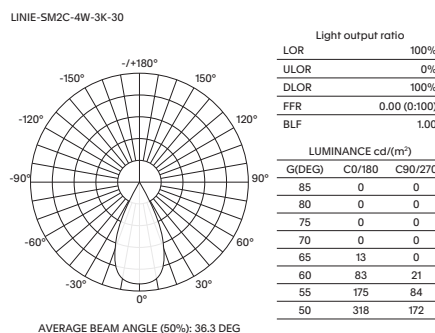
Model	LED Output ²	Luminous Flux ²	LED Wattage	System Wattage	CCT	CRI ³	Distribution
LINIE-SM2C-4W-27K	400Lm	230Lm	4W	6W	2700K	>90	15°, 30°, 45°
LINIE-SM2C-4W-3K	448Lm	290Lm	4W	6W	3000K	>90	15°, 30°, 45°
LINIE-SM2C-4W-4K	448Lm	295Lm	4W	6W	4000K	>90	15°, 30°, 45°

For Non-dimming add suffix ND
 For DALI-2 dimming add suffix D
 For BLUETOOTH dimming add suffix BT

Example product order code configuration: LINIE-SM2C-4W-3K-45-ND-(WH/BK)

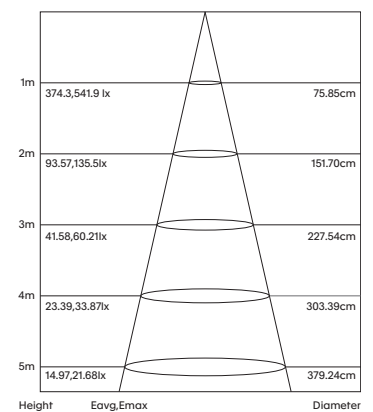
Model	Wattage	CCT	Distribution	Driver	Luminaire Finish / Baffle Finish
LINIE-SM2C	4W	3K	45	ND	WH/BK

Light Distribution



Room Reflectance	Room Index											
Ceiling Walls Floor	0.80	1.00	1.25	1.50	2.00	2.50	3.00	4.00	5.00	70	50	20
	92	96	100	102	105	106	108	110	112			

Cone Diagram



1 Luminaire efficacy based on CCT 3000K; CCT variation will alter efficacy
 2 +/- 10% stated initial LED and luminous flux tolerance
 3 Colour Rendering Index: >90 Standard (Bridgelux SMD Series)
 4 Charges apply for non-standard colour/s and dimming options
 5 Five year manufacturer's warranty covering product defects and performance deficiencies