

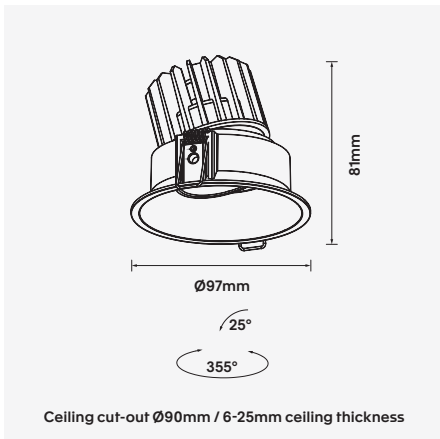
## Nova-A90

### 10W Adjustable LED Recessed Downlight



Luminaire Finishes

White (WH)  Black (BK)



WATTAGE 10W
Ø90
UGR <19
Bluetooth
Z
CE
WARRANTY 5YR

3-Step
CRI (Ra) >90
355° 25°
IP 44
MAINS DIM

LED ceiling recessed luminaire providing symmetrical, low-glare light distribution. Nova-A90 downlight offers optimised performance with a high colour rendering index as standard in a minimal designed housing. The Nova-A90 is high powered and compact, suitable for a range of applications including residential and commercial spaces. A deep-set lamp source ensures optimal glare free performance across a variety of general indoor applications.

Nova utilises Zhaga compliant CREE COB technology. With a standard mains dimmable LED driver with a selection of DALI-2 and Bluetooth (Casambi) dimming options on request. Nova offers a 5 year warranty.

- Luminaire wattage: 10W (System 12W)
- Luminous flux: 1006Lm-1020Lm(2)
- Luminaire efficacy: 85Lm/W(1)
- Correlated colour temperature: 3000K, 4000K
- Colour rendering index: >90(3)
- Mac-Adams Ellipse: 3-SDCM
- LED Brand: CREE COB LED
- Glare control: UGR<19
- Symmetrical distribution: 24°, 36°, 60°
- Outer trim Ø97mm; Ceiling cut-out Ø90mm
- Adjustability: ±25° Tilt, 355° Rotatable
- Ingress protection rating: IP44 standard (From underside)
- Luminaire finishes: White, Black
- Longevity: >50,000Hrs L80 B10
- Driver: Mains dimmable LED driver as standard
- DALI-2, BLE (basicDIM Wireless / Casambi) on request
- Weight: 243g (excluding driver)
- Warranty: 5 years<sup>5</sup>

Model	Luminous Flux <sup>2</sup>	LED Wattage	System Wattage	CCT	CRI <sup>3</sup>	Distribution
NOVA-A90-10W-3K	1326Lm	10W	12W	3000K	>90	24°, 36°, 60°
NOVA-A90-10W-3K	1307Lm	10W	12W	4000K	>90	24°, 36°, 60°

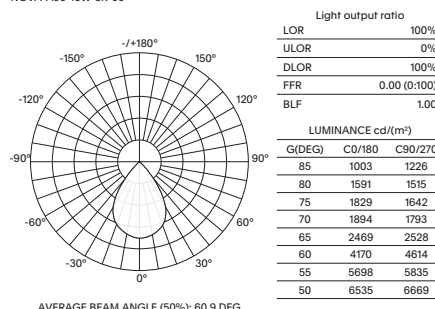
For Mains dimming add suffix MD  
For DALI-2 dimming add suffix D  
For BLUETOOTH dimming add suffix BT

Example product order code configuration: NOVA-A90-10W-3K-60-D-WH

Model	Wattage	CCT	Distribution	Driver	Luminaire Finish
NOVA-A90	10W	3K	60	D	WH

#### Light Distribution

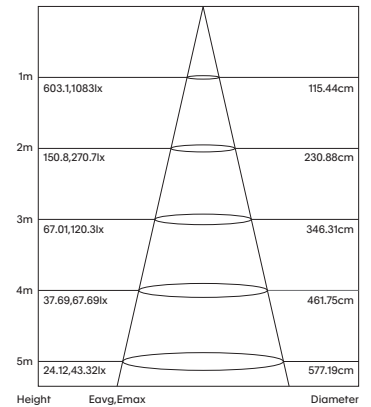
NOVA-A90-10W-3K-60



Utilisation Factors

Room Reflectance	Room Index									
Ceiling   Walls   Floor	0.80	1.00	1.25	1.5	2.00	2.50	3.00	4.00	5.00	
70   50   20	86	91	95	99	102	104	106	108	110	

#### Cone Diagram



1 Luminaire efficacy based on CCT 3000K; CCT variation will alter efficacy  
2 +/- 10% stated initial LED and luminous flux tolerance  
3 Colour Rendering Index: >90 Standard (CREE COB Series)  
4 Additional charges apply for non-standard colour/s and dimming options  
5 Five year manufacturer's warranty covering product defects and performance deficiencies