

## Bono-A105

### 10W Adjustable LED Recessed Downlight

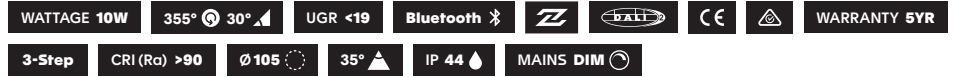
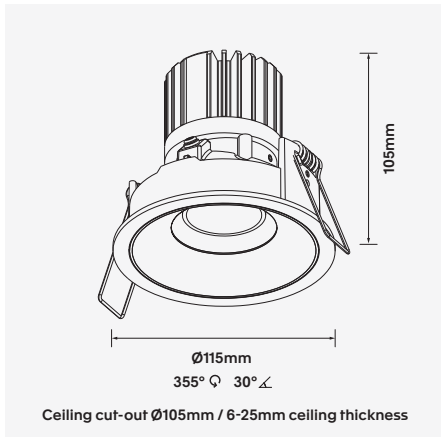


Luminaire Finishes

White (WH)  Black (BK)

Interchangeable Baffle Finishes

White (WH)  Black (BK)  Gold (GD)



An adjustable, recessed, architectural downlight that provides symmetrical, low-glare light distribution in a deep set housing. The minimal design and high efficiency of the Bono-A105 makes it suitable for a wide range of applications. The different trim and baffle options provide adaptability to suit a variety of environments in both commercial and residential spaces.

Features a Zhaga compliant LED from industry leading Bridgelux. A wide range of colour temperatures and dimming options from mains-dimming through to DALI-2 and Bluetooth. Bono-A series offers a 5 year warranty.

- Luminaire wattage: 10W (System 12W)
- Luminous flux: 835-877Lm<sup>2</sup>
- Luminaire efficacy: 69.58Lm/W<sup>1</sup>
- Correlated colour temperature: 3000K, 4000K
- Colour rendering index: <90<sup>3</sup>
- Mac-Adams Ellipse: 3-SDCM
- LED Brand: Bridgelux COB LED
- Glare control: <19
- Symmetrical distribution: 35°
- Outer trim Ø115mm; ceiling cut-out Ø105mm
- Adjustability: +/- 30° tilt, 355° rotation
- Ingress protection rating: IP44
- Luminaire finishes: White, Black
- Baffle options: White, Black, Gold
- Longevity: >50,000Hrs L80 B10
- Driver: Mains dimmable as standard
- Dimming: DALI-2, BLE (basicDIM Wireless / Casambi) on request<sup>4</sup>
- Weight: 515g (excluding driver)
- Warranty: 5 years<sup>5</sup>

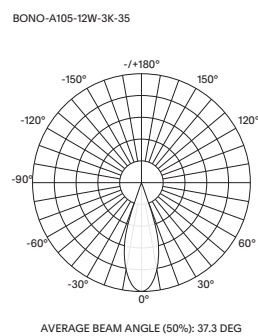
Model	LED Output <sup>2</sup>	Luminous Flux <sup>2</sup>	LED Wattage	System Wattage	CCT	CRI <sup>3</sup>	Distribution
BONO-A105-10W-3K	1170Lm	835Lm	10W	12W	3000K	>90	35°
BONO-A105-10W-4K	1230Lm	877Lm	10W	12W	4000K	>90	35°

For MAINS dimming add suffix MD  
For DALI-2 dimming add suffix D  
For BLUETOOTH dimming add suffix BT

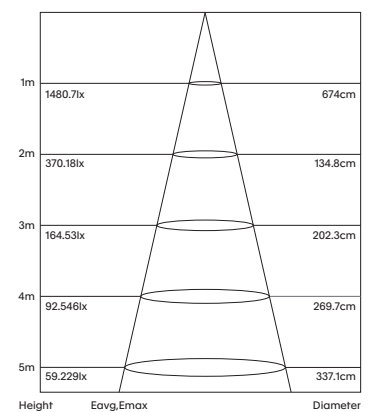
Example product order code configuration: BONO-A105-10W-3K-35-MD-(WH/WH)

Model	Wattage	CCT	Distribution	Driver	Luminaire Finish / Baffle Finish					
BONO-A105	+	10W	+	3K	+	35	+	MD	+	WH/WH

#### Light Distribution



#### Cone Diagram



1 Luminaire efficacy based on CCT 3000K; CCT variation will alter efficacy  
2 +/- 10% stated initial LED and luminous flux tolerance  
3 Colour Rendering Index: >90 Standard (Bridgelux LED Series)  
4 Additional charges apply for non-standard colour/s and dimming options  
5 Five year manufacturer's warranty covering product defects and performance deficiencies