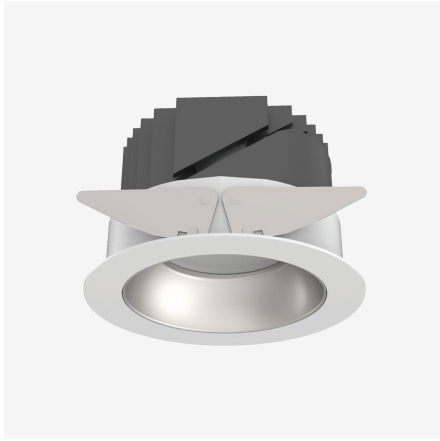


Ario-F125

13W / 18W Fixed LED Recessed Downlight

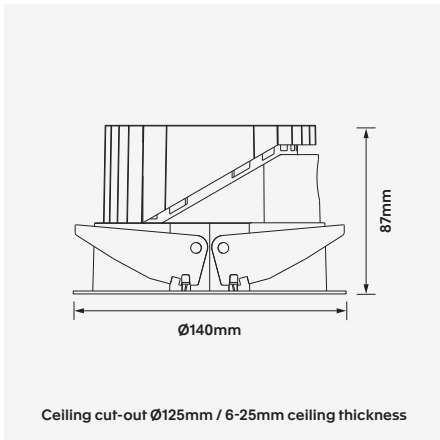


Luminaire Finishes

White (WH) Black (BK)

Interchangeable Baffle Finishes

White (WH) Matt (MT) Specular (SP)



Accessories

ARIO-F125-IP
IP65 Protective Cover
Ø145mm x height 8.5mm



ARIO-F125-AL
IK10 Anti-Ligature Protective Cover
Ø145mm x height 8.5mm



WATTAGE 13W / 18W
Ø 125
UGR <19
Bluetooth
Z
CE
WARRANTY 5YR

3-Step
CRI (Ra) >83 / >90
COI ON REQUEST
60°
IK 10
IP 44 / 65

The Ario LED downlight series offers optimised and efficient performance with symmetrical, low-glare light distribution. The recessed LED architectural luminaire has a shallow depth for low height ceiling voids, IP44 protection (IP65 optional) and optional baffle finishes to suit a multitude of applications.

Available in a range of colour temperatures, wattage/ lumen packages, levels of protection, mounting accessories and dimming options. Made with a die-cast aluminium and polyamide housing, high purity aluminium reflector, high-grade polycarbonate secondary baffle optic and precision-formed Degussa diffuser.

Integrating Zhaga compliant Citizen LED technology, coupled with Tridonic LED driver, the Ario-F series comes with a 5 year warranty.

- Luminaire wattage: 13W / 18W (System 15W / 21W)
- Luminous flux: 1250-1350Lm, 1600-1700Lm²
- Luminaire efficacy: 83Lm/W, 90Lm/W¹
- Correlated colour temperature: 3000K, 4000K
- Colour rendering index: >83 standard; >90 and >97-COI on request^{3/4}
- Mac-Adams Ellipse: 3-SDCM
- LED brand: Citizen COB LED
- Glare control: UGR<19
- Symmetrical distribution: 60°
- Outer trim Ø140mm; Ceiling cut-out Ø125mm
- Ingress protection rating: IP44 standard (From underside); IP65 cover optional⁴
- Impact protection: Anti Ligature IK10 cover optional⁴
- Luminaire finishes: White, Black
- Baffle Options: White, Matt, Specular
- Longevity: >50,000Hrs L80 B10
- Driver: Tridonic non-dimmable LED driver as standard
- Dimming: DALI-2, BLE (basicDIM Wireless / Casambi) on request⁴
- Weight: 650g (excluding driver)
- Warranty: 5 years⁵

Model	LED Output ²	Luminous Flux ²	LED Wattage	System Wattage	CCT	CRI ³	Distribution
ARIO-F125-13W-3K	1550Lm	1250Lm	13W	15W	3000K	>83	60°
ARIO-F125-13W-4K	1600Lm	1350Lm	13W	15W	4000K	>83	60°
ARIO-F125-18W-3K	2000Lm	1600Lm	18W	21W	3000K	>83	60°
ARIO-F125-18W-4K	2100Lm	1700Lm	18W	21W	4000K	>83	60°

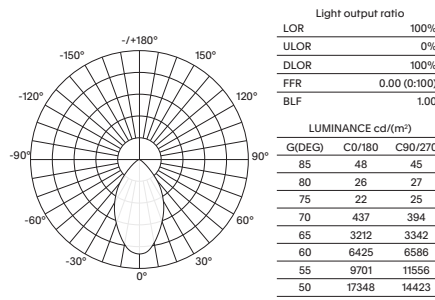
For Non-dimming add suffix ND
For DALI-2 dimming add suffix D
For BLUETOOTH dimming add suffix BT

Example product order code configuration: ARIO-F125-18W-3K-60-D-(WH/SP)

Model	Wattage	CCT	Distribution	Driver	Luminaire Finish / Baffle Finish
ARIO-F125	18W	3K	60	D	WH/SP

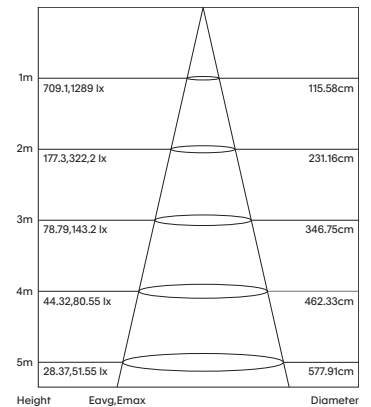
Light Distribution

ARIO-F125-18W-3K-60



Room Reflectance	Utilisation Factors																	
	Ceiling			Walls			Room Index											
70	0.80	1.00	1.25	1.50	2.00	2.50	3.00	4.00	5.00	80	87	92	96	100	103	105	108	109

Cone Diagram



1 Luminaire efficacy based on CCT 3000K; CCT variation will alter efficacy
2 +/- 10% stated initial LED and luminous flux tolerance
3 Colour Rendering Index: >83 Standard, >97/Cyanosis Observation Index (COI) compliance on request; Citizen LED series compliant to AS/NZS 1680.2.5:2018; COI <3.3 & CCT 3300K-5300K
4 Additional charges apply for non-standard colour/s and dimming options
5 Five year manufacturer's warranty covering product defects and performance deficiencies