

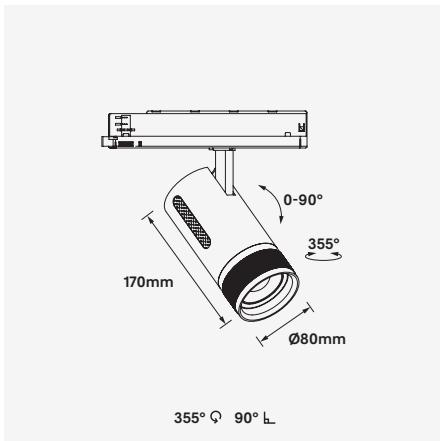
Aero-TR80

29W Beam Adjustable LED Track Luminaire



Luminaire Finishes

Black (BK) White/Black (WH/BK)



WATTAGE 29W | **VOLTAGE 240VAC** | **Bluetooth** | **IP20** | **355° 90°** | **CRI (Ra) >90** | **3-Step** | **20° ~ 60° Adjustable** | **Track** | **WARRANTY 5YR**

LED track mounted architectural luminaire series providing adjustable symmetrical, versatile, low-glare light distribution. With a minimal design and high quality component in a compact housing, it is available in a range of correlated colour temperatures. Suitable for a range of applications from residential, retail spaces, office and commercial fit-outs.

Aero also offers various dimming options from DALI-2 through to the latest in Bluetooth wireless technology. Die-cast aluminium construction for optimal thermal dissipation and precision formed optics with user adjustable distributions. Integrating Zhaga compliant Bridgelux LED technology with industry leading driver technology, Aero offers a 5 year warranty.

- Luminaire wattage: 29W (System 30W)
- Luminous flux: 2083-2240Lm²
- Luminaire efficacy: 69.5Lm/W¹
- Correlated colour temperature: 3000K, 4000K
- Colour rendering index: >90³
- 3-Step-MacAdams Ellipse
- LED Brand: Bridgelux COB LED
- Optical distribution: 20°~60° adjustable
- Ø80mm Trim x 170mm Length
- Luminaire finishes: Black, White/Black
- Ingress protection rating: IP20
- Longevity: >50,000Hrs L80 B10
- Requires 3-Circuit track system⁴
- 3-Circuit Track adaptor as standard
- Dimming: DALI-2, BLE (Casambi) on request⁴
- Weight: 765g
- Warranty: 5 year⁵

Model	LED Output ²	Luminous Flux ²	LED Wattage	System Wattage	CCT	CRI ³	Distribution
AERO-TR80-29W-3K	2500Lm	2083Lm	29W	30W	3000K	>90	20° ~ 60°
AERO-TR80-29W-4K	2770Lm	2240Lm	29W	30W	4000K	>90	20° ~ 60°

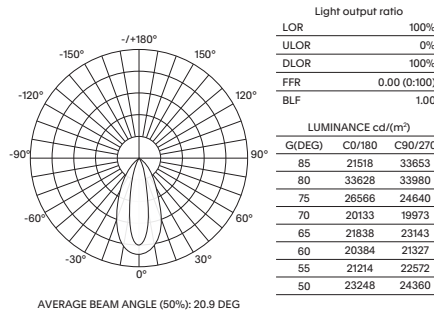
For Non-dimming add suffix ND
For DALI-2 dimming add suffix D
For BLUETOOTH dimming add suffix BT

Example product order code configuration: AERO-TR80-29W-3K-20~60-ND-(WH/BK)

Model	Wattage	CCT	Distribution	Driver	Luminaire Finish					
AERO-TR80	+	29W	+	3K	+	20~60	+	ND	+	WH/BK

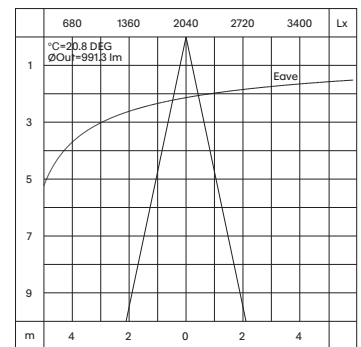
Light Distribution

AERO-TR80-2W-3K-20-60



Room Reflectance	Utilisation Factors									
	Room Index									
Ceiling Walls Floor	0.80	1.00	1.25	1.50	2.00	2.50	3.00	4.00	5.00	
70 50 20	88	92	96	99	102	104	106	108	110	

Cone Diagram



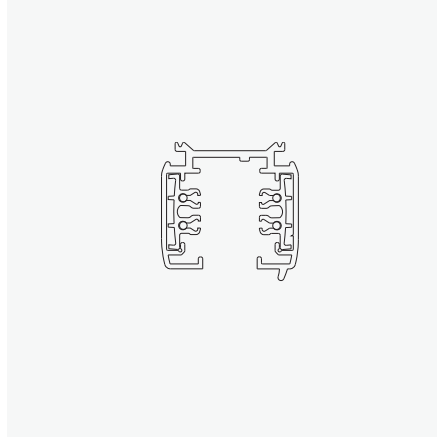
1 Luminaire efficacy based on CCT 3000K; CCT variation will alter efficacy
2 +/- 10% stated initial LED and luminous flux tolerance
3 Colour Rendering Index: >90 Standard (Bridgelux COB Series)
4 Charges apply for non-standard colour/s, 3-circuit track and dimming options
5 Five year manufacturer's warranty covering product defects and performance deficiencies

Aero-TR80

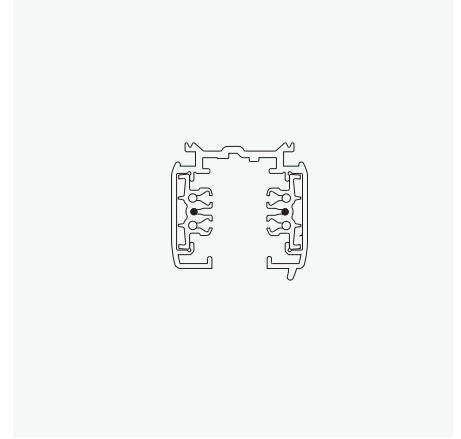
29W Beam Adjustable LED Track Luminaire

240VAC TRACK-SYSTEM track options

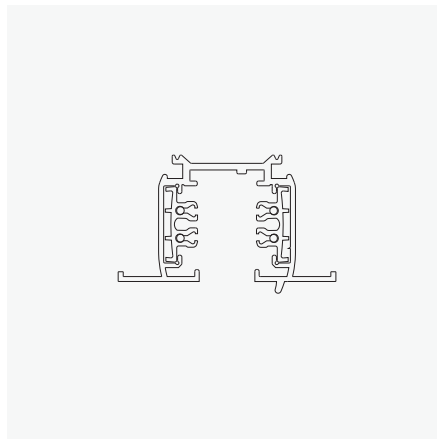
3-Circuit Surface Track
Product No: PRO-TRK-SM-3C
Colour: White, Black, Silver
Size: W35.2 x H32.5mm



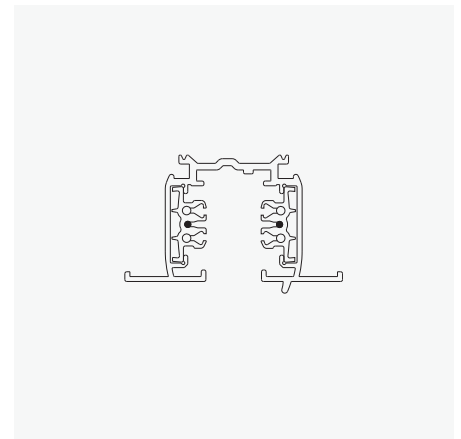
3-Circuit Surface DALI Track
Product No: PRO-TRK-SM-3C-D
Colour: White, Black, Silver
Size: W35.2 x H32.5mm



3-Circuit Recessed Track
Product No: PRO-TRK-REC-3C
Colour: White, Black, Silver
Size: W56 x 35.5mm



3-Circuit Recessed DALI Track
Product No: PRO-TRK-REC-3C-D
Colour: White, Black, Silver
Size: W56 x 35.5mm



- 1 Luminaire efficacy based on CCT 3000K; CCT variation will alter efficacy
- 2 +/- 10% stated initial LED and luminous flux tolerance
- 3 Colour Rendering Index: >90 Standard (Bridgelux COB Series)
- 4 Charges apply for non-standard colour/s, 3-circuit track and dimming options
- 5 Five year manufacturer's warranty covering product defects and performance deficiencies