

Void-F145

20W Fixed LED Recessed Downlight

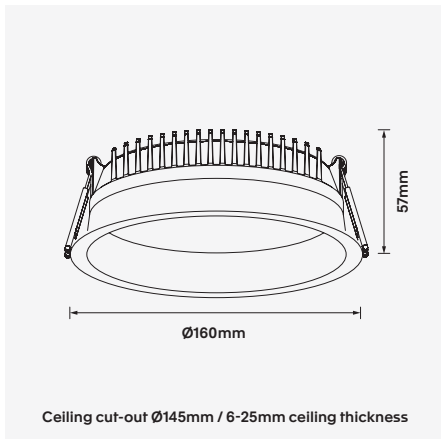


Luminaire Finishes

White (WH) Black (BK)

Baffle Finishes

White (WH) Black (BK) Silver (SV)
 Gold (GD) Custom



Ceiling cut-out Ø145mm / 6-25mm ceiling thickness



Recessed architectural luminaire providing symmetrical, low-glare lighting distribution. The Void LED downlight series offers performance and efficiency within a slim fitting that's short enough to accommodate shallow ceiling voids. With an IP44 rating and multiple surface finishes to suit various applications it is available in a range of colour temperatures and wattage/lumen packages.

Various dimming options include DALI or BLE (Casambi) on request and is quality constructed with a micro-prismatic, low UGR diffuser and a Bridgelux SMD LED. The Void series comes with a 5 year warranty.

- Luminaire wattage: 20W (System 22W)
- Luminous flux: 1407-1633Lm²
- Luminaire efficacy: 71.36Lm/W¹
- Correlated colour temperature: 3000K, 4000K
- Colour rendering index: >90 standard; COI on request³
- Mac-Adams Ellipse: 3-SDCM
- LED brand: Bridgelux SMD LED
- Glare control: UGR<19
- Symmetrical distribution: 90°
- Outer trim Ø160mm; Ceiling cut-out Ø145mm
- Ingress protection rating: IP44
- Luminaire finishes: White, Black
- Baffle Options: White, Black, Silver, Gold, Custom⁴
- Longevity: >50,000Hrs L80 B10
- Driver: Tridonic non-dimmable as standard
- Dimming: DALI-2, BLE (basicDIM Wireless / Casambi) on request⁴
- Weight: 450g (excluding driver)
- Warranty: 5 years⁵

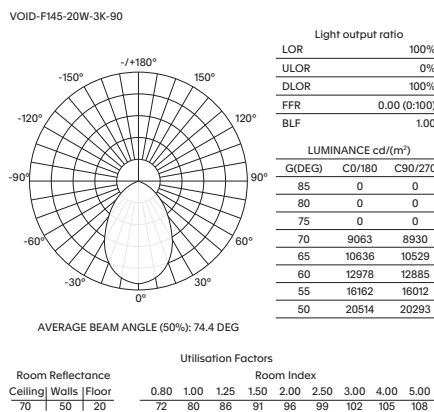
Model	LED Output ²	Luminous Flux ²	LED Wattage	System Wattage	CCT	CRI ³	Distribution
VOID-F145-20W-3K	1900Lm	1407Lm	20W	22W	3000K	>90	90°
VOID-F145-20W-4K	1960Lm	1633Lm	20W	22W	4000K	>90	90°

For Non dimming add suffix ND
For DALI-2 dimming add suffix D
For BLUETOOTH dimming add suffix BT

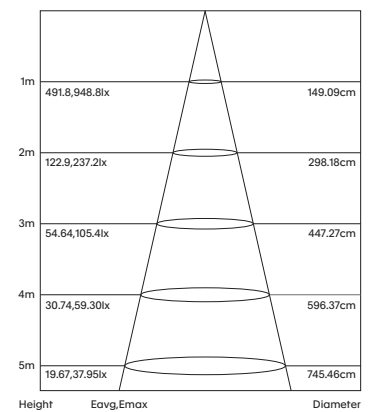
Example product order code configuration: VOID-F145-20W-3K-90-D-(WH/GD)

Model	Wattage	CCT	Distribution	Driver	Luminaire Finish / Baffle Finish					
VOID-F145	+	20W	+	3K	+	90	+	D	+	WH/GD

Light Distribution



Cone Diagram



1 Luminaire efficacy based on CCT 3000K; CCT variations will alter efficacy
2 +/- 10% stated initial LED and luminous flux tolerance
3 Colour Rendering Index: >90 Standard (Bridgelux SMD Series), >97 / Cyanosis Observation Index (COI) compliance on request
Bridgelux LED series compliant to AS/NZS1680.2.5:2018; COI <3.3 and CCT 3300-5300K
4 Additional charges apply for non-standard colour/s and dimming options
5 Five year manufacturer's warranty covering product defects and performance deficiencies