

## Kuppel-F150

### 18W / 25W Fixed LED Recessed Downlight

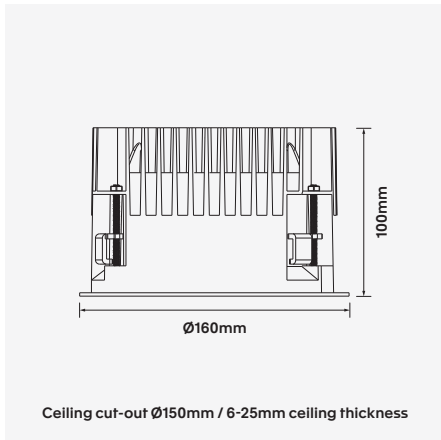


#### Luminaire Finishes

White (WH)  Black (BK)

#### Interchangeable Baffle Finishes

White (WH)  Black (BK)  Matt (MT)



WATTAGE 18W / 25W
Ø 150
UGR <19
Bluetooth
Z
CE
WARRANTY 5YR

3-Step
CRI (Ra) >90
30° / 60°
IP 54

Recessed LED architectural luminaire series providing optimised and efficient performance with an IP54 rating and deep-set lamp source for symmetrical low glare distribution. Available in a range of wattage/lumen packages, the Kuppel series also offers various dimming options with screw adjustable wing mounting for easy installation.

Made from a die-cast aluminium housing with an aluminium reflector, it is available in a variety of finishes. Integrating Zhaga compliant Citizen LED technology and coupled with Tridonic control gear, the Kuppel series offers a 5 year warranty.

- Luminaire wattage: 18W, 25W (System 21W, 28W)
- Luminous flux: 2000-2500Lm, 2700-3300Lm<sup>2</sup>
- Luminaire efficacy: 127.77Lm/W, 124Lm/W<sup>1</sup>
- Correlated colour temperature: 3000K, 4000K
- Colour rendering index: >90<sup>3</sup>
- Mac-Adams Ellipse: 3-SDCM
- LED Brand: Citizen COB LED
- Glare control: UGR<19
- Symmetrical distribution: 30°, 60°
- Outer trim Ø160mm; Ceiling cut-out Ø150mm
- Ingress protection rating: IP54 standard (From underside)
- Luminaire finishes: White, Black
- Baffle Options: White, Black, Matt<sup>4</sup>
- Longevity: >50,000Hrs L80 B10
- Driver: Tridonic non-dimmable LED driver as standard
- Dimming: DALI-2, BLE (basicDIM Wireless / Casambi) on request<sup>5</sup>
- Weight: 840g (excluding driver)
- Warranty: 5 years<sup>5</sup>

Model	LED Output <sup>2</sup>	Luminous Flux <sup>2</sup>	LED Wattage	System Wattage	CCT	CRI <sup>3</sup>	Distribution
KUPPEL-F150-18W-3K-30	2800Lm	2300Lm	18W	21W	3000K	>90	30°
KUPPEL-F150-18W-4K-30	3000Lm	2500Lm	18W	21W	4000K	>90	30°
KUPPEL-F150-18W-3K-60	2800Lm	2000Lm	18W	21W	3000K	>90	60°
KUPPEL-F150-18W-4K-60	3000Lm	2200Lm	18W	21W	4000K	>90	60°
KUPPEL-F150-25W-3K-30	3800Lm	3100Lm	25W	28W	3000K	>90	30°
KUPPEL-F150-25W-4K-30	4000Lm	3300Lm	25W	28W	4000K	>90	30°
KUPPEL-F150-25W-3K-60	3800Lm	2700Lm	25W	28W	3000K	>90	60°
KUPPEL-F150-25W-4K-60	4000Lm	2900Lm	25W	28W	4000K	>90	60°

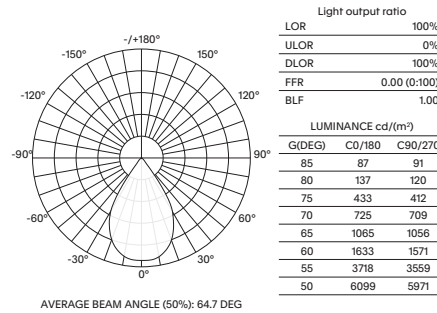
For Non-dimming add suffix ND  
For DALI-2 dimming add suffix D  
For BLUETOOTH dimming add suffix BT

Example product order code configuration: KUPPEL-F150-25W-3K-60-D-(WH/WH)

Model	Wattage	CCT	Distribution	Driver	Luminaire Finish / Baffle Finish					
KUPPEL-F150	+	25W	+	3K	+	60	+	D	+	WH/WH

#### Light Distribution

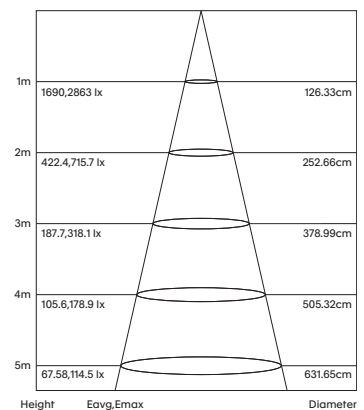
KUPPEL-F150-25W-3K-60



Utilisation Factors

Room Reflectance	Room Index									
Ceiling   Walls   Floor	0.80	1.00	1.25	1.50	2.00	2.50	3.00	4.00	5.00	
70   50   20	89	93	98	101	104	106	107	110	111	

#### Cone Diagram



1 Luminaire efficacy based on CCT 3000K; CCT variation will alter efficacy  
2 +/- 10% stated initial LED and luminous flux tolerance  
3 Colour Rendering Index: >90 Standard (Citizen COB series)  
4 Charges apply for non-standard colour/s and dimming options  
5 Five year manufacturer's warranty covering product defects and performance deficiencies