

## Index-SM115

### 10W~20W Fixed IP Rated Surface / Suspended Mount Downlight

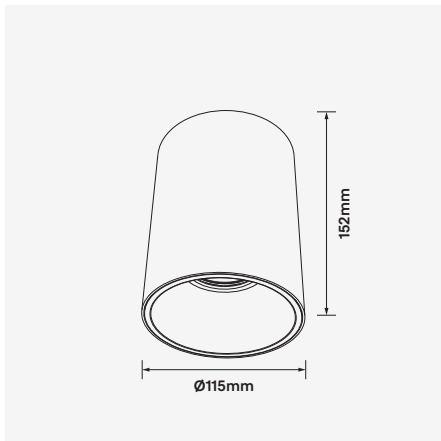


Luminaire Finishes

White (WH)  Black (BK)

Interchangeable Baffle Finishes

White (WH)  Black (BK)  Gold (GD)  
 Specular (SP)  Bronze (BZ)



#### Accessories

##### Wire Suspension Kit (WSUS)

Part No: SUSKIT-3M-SIL  
Colour: Silver  
Length: 3m Adjustable



##### Wire Suspension Kit (WSUS)

Part No: SUSKIT-3M-BLK  
Colour: Black  
Length: 3m Adjustable



##### Rod Suspension Kit (RSUS)

Part No: ROD-SUS-KIT-1M-WHT  
Colour: White  
Length: 1m Adjustable



##### Rod Suspension Kit (RSUS)

Part No: ROD-SUS-KIT-1M-BLK  
Colour: Black  
Length: 1m Adjustable



WATTAGE 10W~20W
CRI (Ra) >90
Bluetooth
Z
BAKT
CE
WARRANTY 5YR

3-Step
UGR <19
20° / 40°
IP 65
Surface
Suspended

Surface mounted architectural luminaire providing optimised and symmetrical performance with a IP65 rating. Index comes with a wide selection of deep-set baffle options providing visual interest and low-glare illumination. Suspension options are also available.

Quality aluminium construction and incorporating premium components such as Citizen LED technology and Tridonic LED driver. Index-SM series is covered by a 5 year warranty.

- Luminaire wattage: 10W~20W(System 12W~22W)
- Luminous flux: 854-900Lm, 1290-1350Lm, 1688-1787Lm<sup>2</sup>
- Luminaire efficacy: 71.16Lm/W, 75.88Lm/W, 76.72Lm<sup>1</sup>
- Correlated colour temperature: 3000K, 4000K
- Colour rendering index: >90<sup>3</sup>
- Mac-Adams Ellipse: 3-SDCM
- LED brand: Citizen COB LED
- Glare control: UGR<19
- Symmetrical distribution: 20°, 40°
- Outer trim Ø115mm x Height 152mm
- Ingress protection rating: IP65 (Front side)
- Luminaire finishes: White, Black
- Baffle Options: White, Black, Specular, Gold, Bronze
- Longevity: >50,000Hrs L80 B10
- Driver: Tridonic non-dimmable as standard
- Dimming: DALI-2, BLE (basicDIM Wireless / Casambi) on request<sup>4</sup>
- Weight: 760g (including driver)
- Warranty: 5 years<sup>5</sup>

Model	LED Output <sup>2</sup>	Luminous Flux <sup>2</sup>	LED Wattage	System Wattage	CCT	CRI <sup>3</sup>	Distribution
INDEX-SM115-10W-3K	1050Lm	854Lm	10W	12W	3000K	>90	20°, 40°
INDEX-SM115-10W-4K	1050Lm	900Lm	10W	12W	4000K	>90	20°, 40°
INDEX-SM115-15W-3K	1550Lm	1290Lm	15W	17W	3000K	>90	20°, 40°
INDEX-SM115-15W-4K	1550Lm	1350Lm	15W	17W	4000K	>90	20°, 40°
INDEX-SM115-20W-3K	2100Lm	1688Lm	20W	22W	3000K	>90	20°, 40°
INDEX-SM115-20W-4K	2100Lm	1787Lm	20W	22W	4000K	>90	20°, 40°

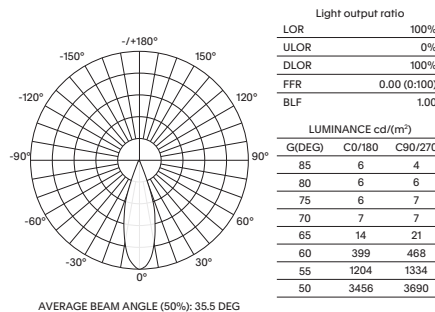
For Non-dimming add suffix ND  
For DALI-2 dimming add suffix D  
For BLUETOOTH dimming add suffix BT

Example product order code configuration: INDEX-SM115-20W-3K-40-ND-(WH/BK)

Model	Wattage	CCT	Distribution	Driver	Luminaire Finish / Baffle Finish					
INDEX-SM115	+	20W	+	3K	+	40	+	D	+	WH/BK

#### Light Distribution

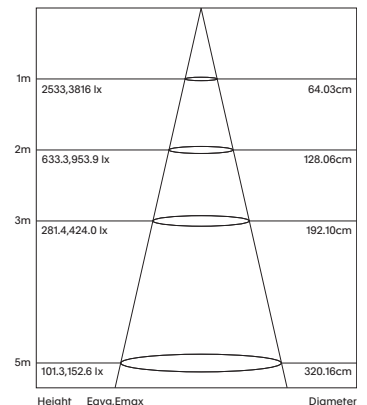
INDEX-SM115-20W-3K-40



Utilisation Factors

Room Reflectance	Room Index										
Ceiling   Walls   Floor	0.80	1.00	1.25	1.50	2.00	2.50	3.00	4.00	5.00		
70   50   20	90	95	99	102	104	106	108	110	111		

#### Cone Diagram



1 Luminaire efficacy based on CCT 3000K; CCT variation will alter efficacy  
2 +/- 10% stated initial LED and luminous flux tolerance  
3 Colour Rendering Index: >90 Standard (Citizen COB Series)  
4 Additional charges apply for non-standard colour/s, accessories and dimming options  
5 Five year manufacturer's warranty covering product defects and performance deficiencies