

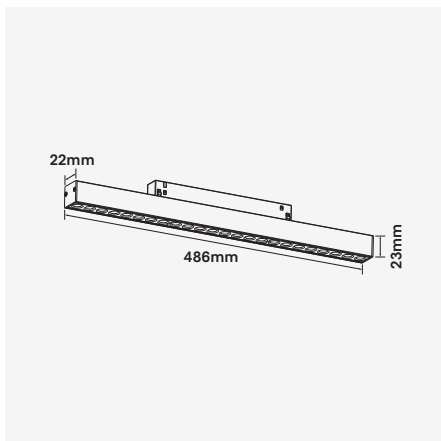
## Lino-F4

### 20W Optical Linear 48VDC LED Track Luminaire



Luminaire Finish

Black (BK)



WATTAGE 20W
VOLTAGE 48VDC
3-Step
Bluetooth
CE
WARRANTY 5YR

Oval
Round
WALL WASHER
CRI (Ra) >90
IP 20
Track

A 48VDC low voltage track system is synonymous with electrical safety, permitting greater flexibility and ease of use including installation. The luminaire can be installed and moved to any position without the need for turning off the power to the track. This is due to its low voltage input of 48VDC. No tools are required, the luminaires simply snap-lock into position, remaining in place until you want to remove or re-position the luminaire.

The elegant and minimalist design permits a range of micro luminaires ranging from spots, pendants and linear sources with many features. The system features simple on/off operation with additional dimming options to suit a number of protocols such as DALI or Bluetooth dimming. The system is designed to suit applications from residential through to retail and commercial. The Lino-F4 is covered by a 5 year warranty.

- Luminaire wattage: 20W (System)
- Luminous flux: 1561Lm<sup>2</sup>
- Luminaire efficacy: 78.05Lm/W<sup>1</sup>
- Correlated colour temperature: 2700K, 3000K, 4000K
- Colour rendering index: >90<sup>3</sup>
- 3-Step-MacAdams Ellipse
- LED Brand: Osram SMD LED
- Optical distribution: 15°, 30°, 50° (Round); 34°x62°, 60°x36°, 19°x42°, 35°x48° (Oval); 26°x28° (Wallwasher)
- Width 22mm x Height 23mm x Length 486mm
- Luminaire finish: Black/ PMMA Optical Lens
- Ingress protection rating: IP20
- Working voltage: 48VDC constant voltage
- Flicker free DC-DC internal driver
- Longevity: >50,000Hrs L90 B10
- Requires 48VDC remote driver and Track-System
- Dimming: DALI-2, BLE (Casambi) on request<sup>4</sup>
- Weight: 350g
- Warranty: 5 year<sup>5</sup>

Model	LED Output <sup>2</sup>	Luminous Flux <sup>2</sup>	System Wattage	CCT	CRI <sup>3</sup>	Distribution
LINO-F4-20W-3K-15 (Round)	2050Lm	1639Lm	20W	3000K	>90	15°
LINO-F4-20W-3K-30 (Round)	2050Lm	1525Lm	20W	3000K	>90	30°
LINO-F4-20W-3K-50 (Round)	2050Lm	1561Lm	20W	3000K	>90	50°
LINO-F4-20W-3K (Oval)	2050Lm	1280Lm	20W	3000K	>90	34° x 62°
LINO-F4-20W-3K (Oval)	2050Lm	1354Lm	20W	3000K	>90	60° x 36°
LINO-F4-20W-3K (Oval)	2050Lm	1773Lm	20W	3000K	>90	19° x 42°
LINO-F4-20W-3K (Oval)	2050Lm	1487Lm	20W	3000K	>90	35° x 48°
LINO-F4-20W-3K (Wallwasher)	2050Lm	1654Lm	20W	3000K	>90	26° x 28°

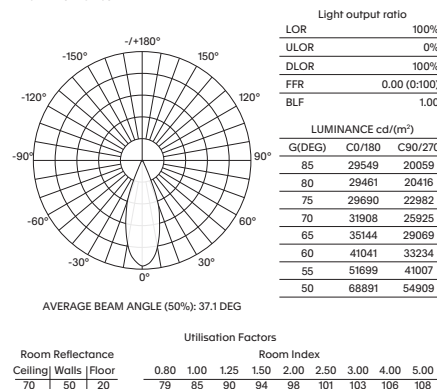
For Non-dimming add suffix ND  
For DALI-2 dimming add suffix D  
For BLUETOOTH dimming add suffix BT

Example product order code configuration: LINO-F4-20W-3K-60x36-D-(BK)

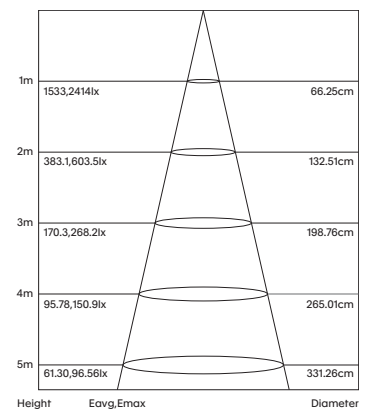
Model	Wattage	CCT	Distribution	Driver	Luminaire Finish
LINO-F4	20W	3K	60° x 36°	D	BK

#### Light Distribution

LINO-F4-20W-3K-30



#### Cone Diagram



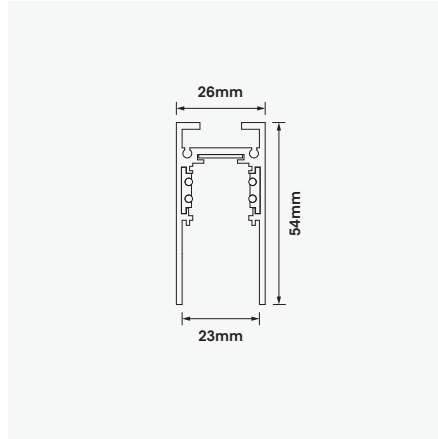
1 Luminaire efficacy based on CCT 3000K; CCT variation will alter efficacy  
2 +/- 10% stated initial LED and luminous flux tolerance  
3 Colour Rendering Index: >90 Standard (Osram SMD Series)  
4 Additional charges apply for non-standard colour/s and dimming options  
5 Five year manufacturer's warranty covering product defects and performance deficiencies

## Lino-F4

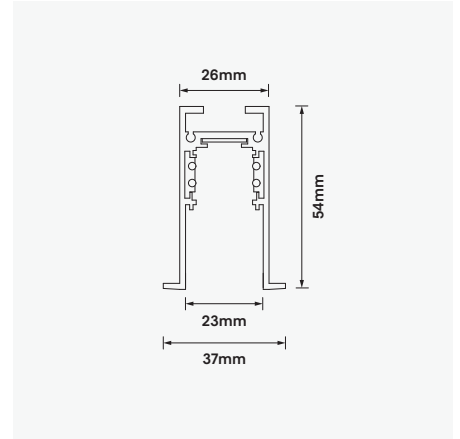
### 20W Optical Linear 48VDC LED Track Luminaire

#### 48VDC TRACK-SYSTEM track options

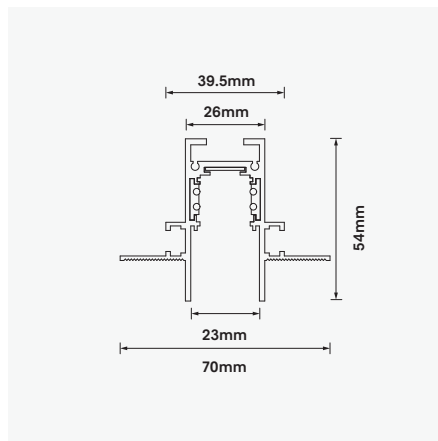
Surface / Suspended Track  
Product No: TR-SM26  
Colour: Black  
Size: W26mm x H54mm



Recessed Track  
Product No: TR-REC26  
Colour: Black  
Size: W37mm x H54mm



Recessed Trimless Track  
Product No: TR-TL26  
Colour: Black  
Size: W70mm x H54mm



- 1 Luminaire efficacy based on CCT 3000K; CCT variation will alter efficacy
- 2 +/- 10% stated initial LED and luminous flux tolerance
- 3 Colour Rendering Index: >90 Standard (Osram SMD Series)
- 4 Additional charges apply for non-standard colour/s and dimming options
- 5 Five year manufacturer's warranty covering product defects and performance deficiencies