

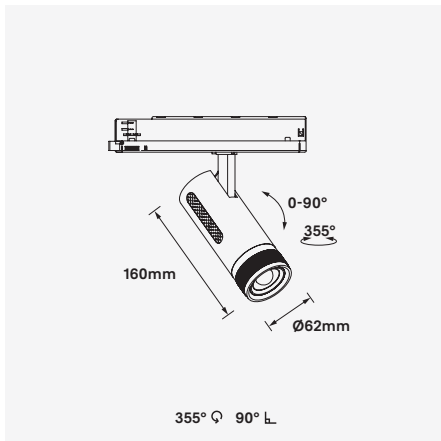
Aero-TR62

14W Beam Adjustable LED Track Luminaire



Luminaire Finishes

Black (BK) White/Black (WH/BK)



WATTAGE 14W	VOLTAGE 240VAC	Bluetooth	WARRANTY 5YR
IP 20	355° 90°	CRI (Ra) >90	3-Step
20° ~ 60° Adjustable	Track		

Introducing the Aero series, an LED track-mounted architectural luminaire collection that delivers adjustable symmetrical, versatile, and low-glare lighting distribution. Its sleek, minimal design combines high-quality components within a compact housing.

Aero is exceptionally versatile, making it suitable for residential, retail spaces, offices, and commercial fit-outs. Offering a range of dimming options, from DALI-2 compatibility to the latest in Bluetooth wireless technology. Its die-cast aluminium construction ensures optimal thermal dissipation, while precision-formed optics with user-adjustable distributions offer tailored lighting.

Aero incorporates Zhaga-compliant Bridgelux LED technology paired with industry-leading driver technology, guaranteeing performance and longevity. To underscore our commitment to quality, Aero comes with a reassuring 5-year warranty.

- Luminaire wattage: 14W (System 16W)
- Luminous flux: 1290-1460Lm²
- Luminaire efficacy: 68Lm/W¹
- Correlated colour temperature: 3000K, 4000K
- Colour rendering index: >90³
- 3-Step-MacAdams Ellipse
- LED Brand: Bridgelux COB LED
- Optical distribution: 20°~60° adjustable
- Ø62mm Trim x 160mm Length
- Luminaire finishes: Black, White/Black
- Ingress protection rating: IP20
- Longevity: >50,000Hrs L80 B10
- Requires 3-Circuit track system⁴
- 3-Circuit Track adaptor as standard
- Dimming: DALI-2, BLE (Casambi) on request⁴
- Weight: 530g
- Warranty: 5 year⁵

Model	LED Output ²	Luminous Flux ²	LED Wattage	System Wattage	CCT	CRI ³	Distribution
AERO-TR62-14W-3K	1580Lm	1291Lm	14W	16W	3000K	>90	20° ~ 60°
AERO-TR62-14W-4K	1750Lm	1460Lm	14W	16W	4000K	>90	20° ~ 60°

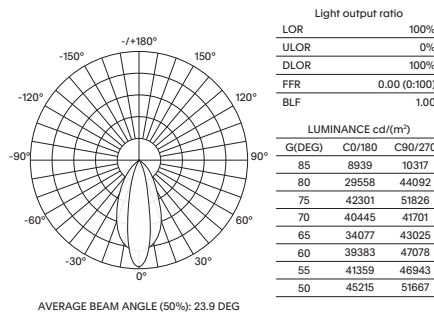
For Non-dimming add suffix ND
For DALI-2 dimming add suffix D
For BLUETOOTH dimming add suffix BT

Example product order code configuration: AERO-TR62-14W-3K-20~60-ND-(WH/BK)

Model	Wattage	CCT	Distribution	Driver	Luminaire Finish					
AERO-TR62	+	14W	+	3K	+	20~60	+	ND	+	WH/BK

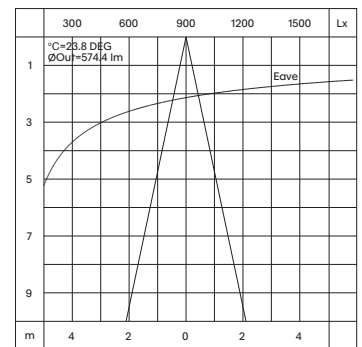
Light Distribution

AERO-TR62-14W-3K-20-60



Room Reflectance	Utilisation Factors									
	Room Index									
Ceiling	0.80	1.00	1.25	1.50	2.00	2.50	3.00	4.00	5.00	
Walls	70	50	20							
Floor										
		87	91	96	99	102	104	106	108	110

Cone Diagram



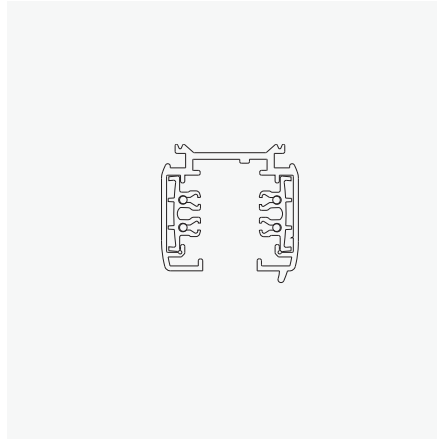
1 Luminaire efficacy based on CCT 3000K; CCT variation will alter efficacy
2 +/- 10% stated initial LED and luminous flux tolerance
3 Colour Rendering Index: >90 Standard (Bridgelux COB Series)
4 Charges apply for non-standard colour/s, 3-circuit track and dimming options
5 Five year manufacturer's warranty covering product defects and performance deficiencies

Aero-TR62

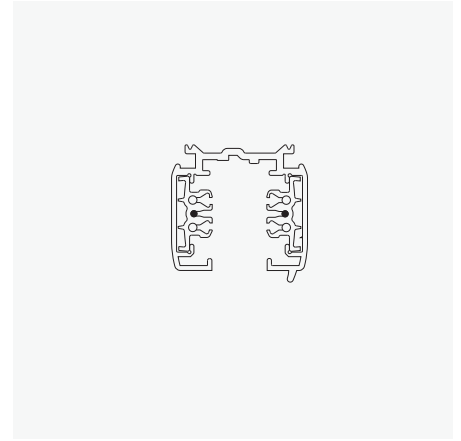
14W Beam Adjustable LED Track Luminaire

240VAC TRACK-SYSTEM track options

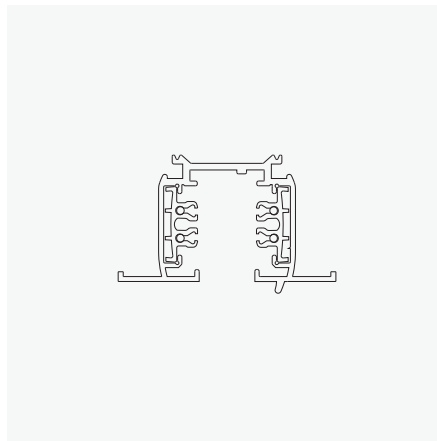
3-Circuit Surface Track
Product No: PRO-TRK-SM-3C
Colour: White, Black, Silver
Size: W35.2 x H32.5mm



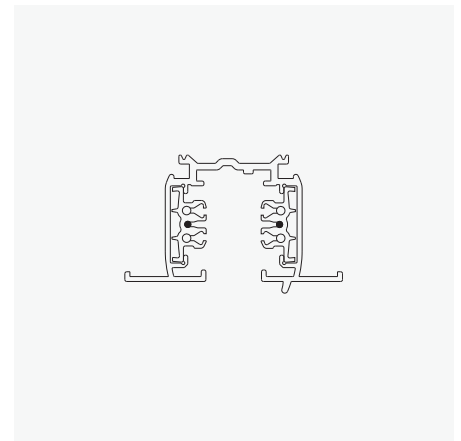
3-Circuit Surface DALI Track
Product No: PRO-TRK-SM-3C-D
Colour: White, Black, Silver
Size: W35.2 x H32.5mm



3-Circuit Recessed Track
Product No: PRO-TRK-REC-3C
Colour: White, Black, Silver
Size: W56 x 35.5mm



3-Circuit Recessed DALI Track
Product No: PRO-TRK-REC-3C-D
Colour: White, Black, Silver
Size: W56 x 35.5mm



- 1 Luminaire efficacy based on CCT 3000K; CCT variation will alter efficacy
- 2 +/- 10% stated initial LED and luminous flux tolerance
- 3 Colour Rendering Index: >90 Standard (Bridgelux COB Series)
- 4 Charges apply for non-standard colour/s, 3-circuit track and dimming options
- 5 Five year manufacturer's warranty covering product defects and performance deficiencies