

## Hera-F40

### 3W Fixed LED Recessed Downlight



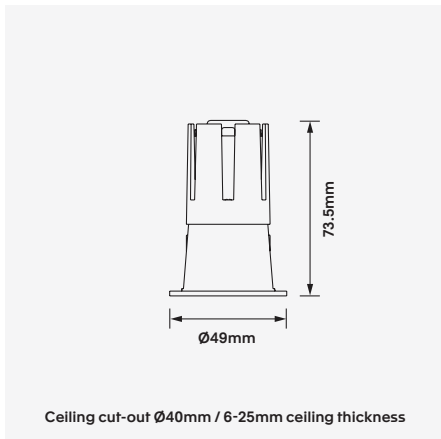
Luminaire Finishes

White (WH)  Black (BK)

Interchangeable Baffle Finishes

White (WH)  Black (BK)  Specular (SP)

Gold (GD)



#### Accessories

**HERA-F40-HC**  
Honeycomb louvre



WATTAGE 3W
Ø40
UGR <16
Bluetooth
3-Step
CE
WARRANTY 5YR

CRI (Ra) >90
10° / 15° / 24°
IP 44

The Hera-F40 is a fixed, deep set LED luminaire providing low-glare light distribution in different beam options and baffle finishes. Made of high quality materials including a die cast aluminium housing and a high purity optical lens, Hera has been designed to be easy to maintain, adaptable and efficient.

Purpose built for a range of residential, commercial and hospitality applications, Hera-F40 integrates Luminus LED technology and a mains dimmable driver as standard with optional DALI-2 or Bluetooth dimming. Hera offers a 5 year warranty.

- Luminaire wattage: 3W (System 5W)
- Luminous flux: 235-261Lm<sup>2</sup>
- Luminaire efficacy: 54.4Lm/W<sup>1</sup>
- Correlated colour temperature: 2700K, 3000K, 4000K
- Colour rendering index: >90<sup>3</sup>
- Mac-Adams Ellipse: 3-SDCM
- LED brand: Luminus SMD LED
- Glare control: UGR<16
- Symmetrical distribution: 10°, 15°, 24°
- Outer trim Ø49mm; Ceiling cut-out Ø40mm
- Ingress protection rating: IP44 standard (From underside)
- Luminaire finishes: White, Black
- Baffle Options: White, Black, Specular, Gold
- Longevity: >50,000Hrs L80 L10
- Driver: Mains-dimmable LED driver as standard
- Dimming: DALI-2, BLE (basicDIM Wireless / Casambi) on request<sup>4</sup>
- Weight: 100g (excluding driver)
- Warranty: 5 years<sup>5</sup>

Model	LED Output <sup>2</sup>	Luminous Flux <sup>2</sup>	LED Wattage	System Wattage	CCT	CRI <sup>3</sup>	Distribution
HERA-F40-3W-27K	456Lm	235Lm	3W	5W	2700K	>90	10°, 15°, 24°
HERA-F40-3W-3K	475Lm	245Lm	3W	5W	3000K	>90	10°, 15°, 24°
HERA-F40-3W-4K	506Lm	261Lm	3W	5W	4000K	>90	10°, 15°, 24°

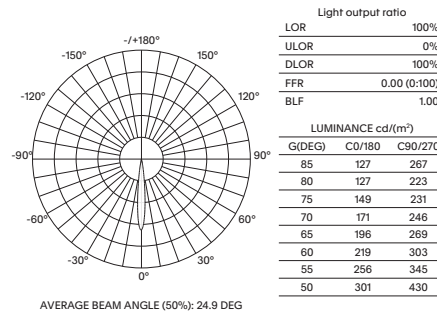
For Mains-dimming add suffix MD  
For DALI-2 dimming add suffix D  
For BLUETOOTH dimming add suffix BT

Example product order code configuration: HERA-F40-3W-3K-24-D-(WH/WH)

Model	Wattage	CCT	Distribution	Driver	Luminaire Finish / Baffle Finish					
HERA-F40	+	3W	+	3K	+	24	+	D	+	WH/WH

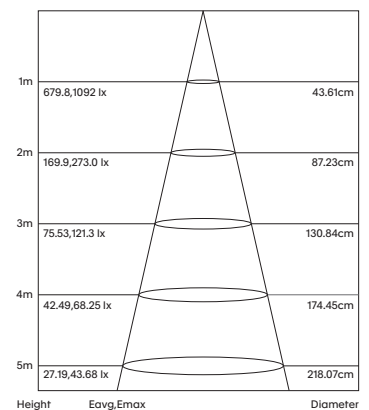
#### Light Distribution

HERA-F40-3W-3K-24



Room Reflectance		Utilisation Factors									
Ceiling	Walls	Room Index									
70	50	20	0.80	1.00	1.25	1.50	2.00	2.50	3.00	4.00	5.00
			47	49	51	52	54	55	55	57	57

#### Cone Diagram



1 Luminaire efficacy based on CCT 3000K; CCT variations will alter efficacy  
2 +/- 10% stated initial LED and luminous flux tolerance  
3 Colour Rendering Index: >90 Standard (Luminus SMD Series)  
4 Additional charges apply for non-standard colour/s, accessories and dimming options  
5 Five year manufacturer's warranty covering product defects and performance deficiencies