

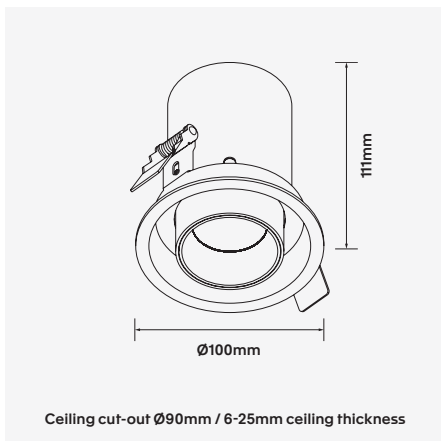
Spy-A90

10W Adjustable LED Recessed Downlight



Luminaire Finishes

White (WH) Black (BK)



Ceiling cut-out Ø90mm / 6-25mm ceiling thickness

WATTAGE 10W
Ø 90
UGR <19
Bluetooth
Z
CE
WARRANTY 5YR

3-Step
CRI (Ra) >90
355° 90°
15° / 26° / 38° / 50°
IP 20

Spy is a recessed luminaire that doubles as an adjustable spot thanks to a special feature that allows the luminaire to be pulled out and adjusted. The downlight turn spotlight provides symmetrical, low-glare light distribution in a minimal design. Die-cast aluminium constructed, it has a high-grade polycarbonate optical lens and is available in a range of surface finishes and colour temperatures to suit a range of applications.

Integrating Zhaga compliant Bridgelux LED technology with class leading LED driver technology, the Spy series comes with a 5 year warranty.

- Luminaire wattage: 10W (System 12W)
- Luminous flux: 986-1020Lm²
- Luminaire efficacy: 82.16Lm/W¹
- Correlated colour temperature: 3000K, 4000K
- Colour rendering index: >90³
- Mac-Adams Ellipse: 3-SDCM
- LED brand: Bridgelux COB LED
- Glare control: UGR<19
- Symmetrical distribution: 15°, 26°, 38°, 50°
- Outer trim Ø100mm; Ceiling cut-out Ø90mm
- Ingress protection rating: IP20
- Luminaire finish: White, Black
- Longevity: >50,000hrs L80 B10
- Driver: Tridonic non-dimmable LED driver as standard
- Dimming: DALI-2, BLE (basicDIM Wireless / Casambi) on request⁴
- Weight: 550g (excluding driver)
- Warranty: 5 years⁵

Model	LED Output ²	Luminous Flux ²	LED Wattage	System Wattage	CCT	CRI ³	Distribution
SPY-A90-10W-3K-15	1260Lm	986Lm	10W	12W	3000K	>90	15°
SPY-A90-10W-4K-15	1284Lm	1020Lm	10W	12W	4000K	>90	15°
SPY-A90-10W-3K-26	1260Lm	986Lm	10W	12W	3000K	>90	26°
SPY-A90-10W-4K-26	1284Lm	1020Lm	10W	12W	4000K	>90	26°
SPY-A90-10W-3K-38	1260Lm	986Lm	10W	12W	3000K	>90	38°
SPY-A90-10W-4K-38	1284Lm	1020Lm	10W	12W	4000K	>90	38°
SPY-A90-10W-3K-50	1260Lm	986Lm	10W	12W	3000K	>90	50°
SPY-A90-10W-4K-50	1284Lm	1020Lm	10W	12W	4000K	>90	50°

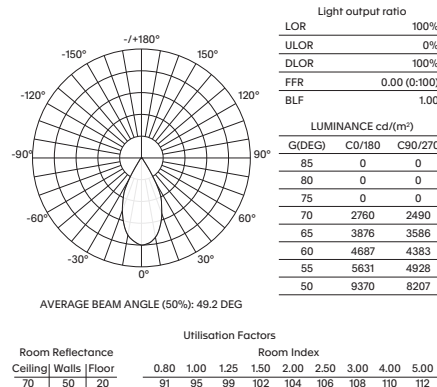
For Non-dimming add suffix ND
For DALI-2 dimming add suffix D
For BLUETOOTH dimming add suffix BT

Example product order code configuration: SPY-A90-10W-3K-50-ND-(WH)

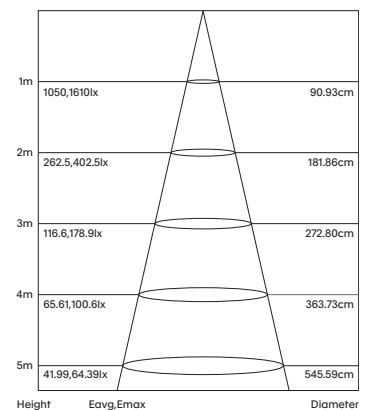
Model	Wattage	CCT	Distribution	Driver	Luminaire Finish					
SPY-A90	+	10W	+	3K	+	50	+	ND	+	WH

Light Distribution

SPY-A90-10W-3K-50



Cone Diagram



1 Luminaire efficacy based on CCT 3000K; CCT variation will alter efficacy
2 +/- 10% stated initial LED and luminous flux tolerance
3 Colour rendering Index: >90 Standard (Bridgelux COB Series)
4 Charges apply for non-standard colour/s and dimming options
5 Five year manufacturer's warranty covering product defects and performance deficiencies