

Twist-L

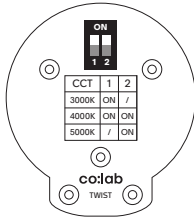
10W / 15W / 18W / 30W / 40W Fixed LED Recessed Downlight



Luminaire Finishes

White (WH) Black (BK)

CCT Adjustable



Accessories

TWIST-L-Ring
Deep-Set ring



WATTAGE 10W / 15W / 18W / 30W / 40W
CRI (Ra) >85
Bluetooth
CE
WARRANTY 5YR

3-Step
Ø160-260
100°
IP 44
MAINS DIM

Twist is a modular fixed downlight series with an extensive range of cut-out sizes and wattages and a unique trim twist-lock design that enables versatility and functionality across a range of applications.

Suitable for new builds and ideal as a complete retro-fit downlight solution the Twist LED modules comes in 3 core sizes (small, medium and large) covering a wattage range of up to 40 Watts across the series. Each module has an IP44 rating as standard (IP54 module optional) and comprises interchangeable twist lock trims that adapt to a vast array of pre-existing ceiling cut outs.

The Twist, with its functional twist lock design is constructed of die-cast aluminium, a polycarbonate lens and integrates Osram CCT adjustable LED technology. The Twist luminaire series offers a 5 year warranty.

- Luminaire wattage: 10W, 15W, 18W, 30W, 40W (System)
- Luminous flux: 963-1078Lm, 1338-1442Lm, 1655-1834, 2481-2833Lm, 3466-3970Lm²
- Luminaire efficacy: 84.82Lm/W, 85.69Lm/W, 96.02Lm/W, 88.24Lm/W, 89.20Lm/W¹
- Correlated colour temperature: 3000K, 4000K, 5000K (Dip-switch selectable)
- Colour rendering index: >85³
- Mac-Adams Ellipse: 3-SDCM
- LED brand: OSRAM SMD LED
- Symmetrical distribution: 100°
- Trim A: Outer Trim Ø190mm; Ceiling cut-out Ø160-180mm
- Trim B: Outer Trim Ø230mm; Ceiling cut-out Ø185-210mm
- Trim C: Outer Trim Ø285mm; Ceiling cut-out Ø230-260mm
- Ingress protection rating: IP44
- Luminaire finishes: White, Black
- Deep-set baffle options: Black
- Longevity: >50,000Hrs L80 B10
- Driver: Mains dimmable ECG as standard
- Dimming: DALI-2, BLE (basicDIM Wireless / Casambi) on request³
- Weight: 815g (excluding driver)
- Warranty: 5 years⁵

Model	Luminous Flux ²	System Wattage	CCT	CRI ³	Distribution	Application Frames
TWIST-L-10W-3K	963Lm	10W	3000K	>85	100°	TWIST-LA/LB/LC
TWIST-L-10W-4K	1078Lm	10W	4000K	>85	100°	TWIST-LA/LB/LC
TWIST-L-10W-5K	1048Lm	10W	5000K	>85	100°	TWIST-LA/LB/LC
TWIST-L-15W-3K	1338Lm	15W	3000K	>85	100°	TWIST-LA/LB/LC
TWIST-L-15W-4K	1458Lm	15W	4000K	>85	100°	TWIST-LA/LB/LC
TWIST-L-15W-5K	1442Lm	15W	5000K	>85	100°	TWIST-LA/LB/LC
TWIST-L-18W-3K	1655Lm	18W	3000K	>85	100°	TWIST-LA/LB/LC
TWIST-L-18W-4K	1834Lm	18W	4000K	>85	100°	TWIST-LA/LB/LC
TWIST-L-18W-5K	1757Lm	18W	5000K	>85	100°	TWIST-LA/LB/LC
TWIST-L-30W-3K	2481Lm	30W	3000K	>85	100°	TWIST-LA/LB/LC
TWIST-L-30W-4K	2833Lm	30W	4000K	>85	100°	TWIST-LA/LB/LC
TWIST-L-30W-5K	2606Lm	30W	5000K	>85	100°	TWIST-LA/LB/LC
TWIST-L-40W-3K	3466Lm	40W	3000K	>85	100°	TWIST-LA/LB/LC
TWIST-L-40W-4K	3970Lm	40W	4000K	>85	100°	TWIST-LA/LB/LC
TWIST-L-40W-5K	3616Lm	40W	5000K	>85	100°	TWIST-LA/LB/LC

For MAINS dimming add suffix MD
For DALI-2 dimming add suffix D
For BLUETOOTH dimming add suffix BT

Example product order code configuration: TWIST-L-30W-3K-100-D-LB-(WH/BK)

Model	Wattage	CCT	Distribution	Driver	Frame / Luminaire Finish / Baffle Finish					
TWIST-L	+	30W	+	3K	+	100	+	D	+	LB/WH/BK

Frame Model	Frame Size	Frame Cut-Out	Finish	Image
TWIST-LA	Ø190mm	Ø160-180mm	Satin White	
TWIST-LB	Ø230mm	Ø185-210mm	Satin White	
TWIST-LC	Ø285mm	Ø230-260mm	Satin White	

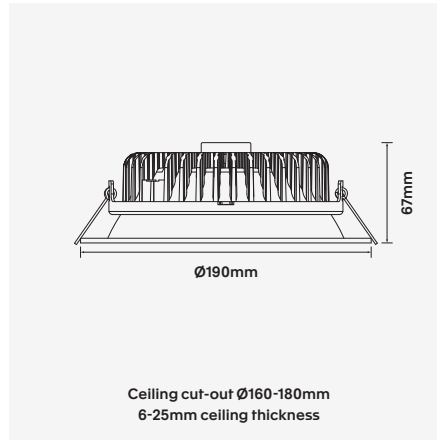
1 Luminaire efficacy based on CCT 3000K; CCT variation will alter efficacy
2 +/- 10% stated initial LED and luminous flux tolerance
3 Colour Rendering Index: >85 Standard (OSRAM SMD Series)
4 Additional charges apply for non-standard colour/s and dimming options
5 Five year manufacturer's warranty covering product defects and performance deficiencies

Twist-L

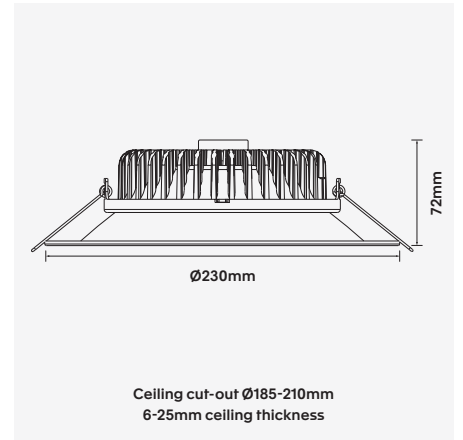
10W / 15W / 18W / 30W / 40W
Fixed LED Recessed Downlight

Fixed LED Recessed Downlight options

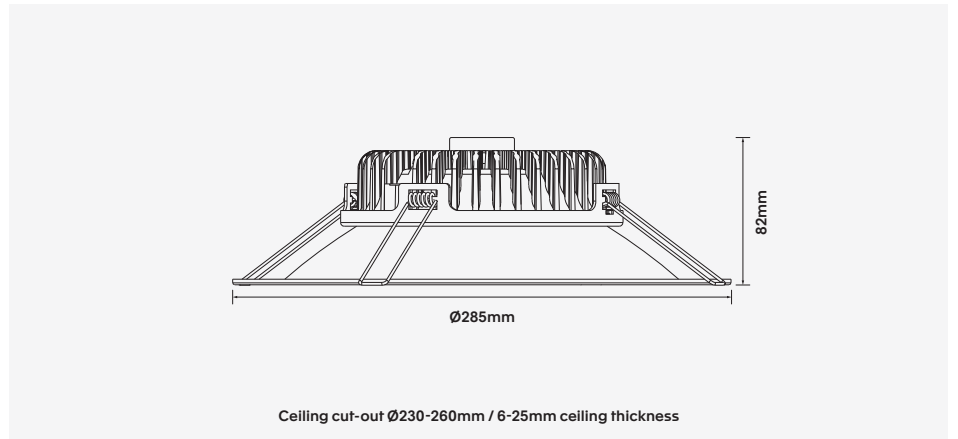
TWIST-LA



TWIST-LB

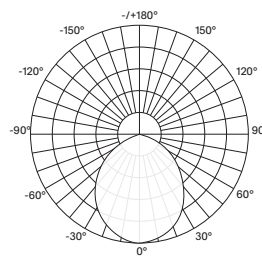


TWIST-LC



Light Distribution

TWIST-L-40W-3K



Light output ratio		
LOR	100%	
ULOR	0%	
DLOR	100%	
FFR	0.00 (0:100)	
BLF	1.00	
LUMINANCE cd/(m²)		
G(DEG)	C0/180	C90/270
85	10620	9206
80	13844	12098
75	25523	23107
70	35978	33647
65	44366	42184
60	50978	48919
55	56278	54399
50	60685	58884

Cone Diagram

Height	Eavg, Emax	Diameter
1m	546.3, 1488lx	232.62cm
2m	136.6, 372.1lx	465.25cm
3m	60.70, 165.4lx	697.87cm
4m	34.14, 93.03lx	930.50cm
5m	21.85, 59.54lx	1163.12cm

- 1 Luminaire efficacy based on CCT 3000K; CCT variation will alter efficacy
- 2 +/- 10% stated initial LED and luminous flux tolerance
- 3 Colour Rendering Index: >85 Standard (OSRAM SMD Series)
- 4 Additional charges apply for non-standard colour/s and dimming options
- 5 Five year manufacturer's warranty covering product defects and performance deficiencies