

Linie-F2C

4W Fixed Linear Recessed Downlight

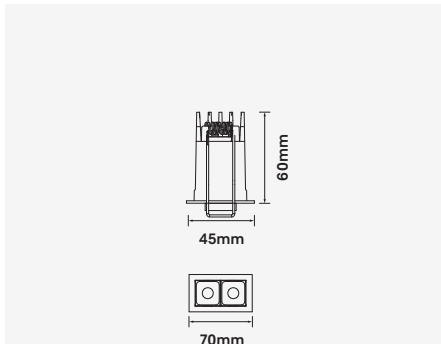


Luminaire Finishes

- White (WH) Black (BK)

Interchangeable Baffle Finishes

- White (WH) Black (BK) Gold (GD)
 Silver (SV)



Ceiling cut-out W37 x L62mm / 6-25mm ceiling thickness

WATTAGE 4W
UGR <19
CRI (Ra) >90
Bluetooth
Z
BAKT
CE
WARRANTY 5YR

3-Step
24° / 40°
37 x 62
IP 44
Recessed

Fixed recessed LED architectural downlight series provides symmetrical, low-glare light distribution within a compact, linear housing. Available in multiple baffle finished to suit a wide variety of applications. Minimal trim for a seamless look.

Comes quality constructed using a die-cast aluminium structure with high grade polycarbonate secondary baffle optics. Integrating OSRAM LED technology with industry leading control gear, the Linie series comes with a 5 year warranty.

- Luminaire wattage: 4W (System 6W)
- Luminous flux: 300-320Lm²
- Luminaire efficacy: 50Lm/W³
- Correlated colour temperature: 3000K, 4000K
- Colour rendering index: >90³
- Mac-Adams Ellipse: 3-SDCM
- LED brand: Osram SMD LED
- Glare control: <19
- Symmetrical distribution: 24°, 40°
- Outer trim: Width 45mm x Length 70mm
- Ceiling cut-out Width 37mm x Length 62mm
- Ingress protection rating: IP44
- Luminaire finishes: White, Black
- Baffle options: White, Black, Gold, Silver⁴
- Longevity: >50,000Hrs L80 B10
- Driver: Non-dimmable LED driver as standard
- Dimming: DALI-2, BLE (basicDIM Wireless / Casambi) on request⁴
- Weight: 125g (inc. non-dimmable driver)
- Warranty: 5 years⁵

Model	LED Output ²	Luminous Flux ²	LED Wattage	System Wattage	CCT	CRI ³	Distribution
LINEIE-F2C-4W-3K-24	380Lm	300Lm	4W	6W	3000K	>90	24°
LINEIE-F2C-4W-4K-24	410Lm	320Lm	4W	6W	4000K	>90	24°
LINEIE-F2C-4W-3K-40	380Lm	300Lm	4W	6W	3000K	>90	40°
LINEIE-F2C-4W-4K-40	410Lm	320Lm	4W	6W	4000K	>90	40°

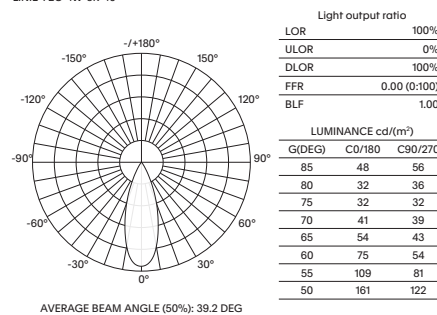
For Non-dimming add suffix ND
For DALI-2 dimming add suffix D
For BLUETOOTH dimming add suffix BT

Example product order code configuration: LINEIE-F2C-4W-3K-40-ND-(WH/BK)

Model	Wattage	CCT	Distribution	Driver	Luminaire Finish / Baffle Finish					
LINEIE-F2C	+	4W	+	3K	+	40	+	ND	+	WH/BK

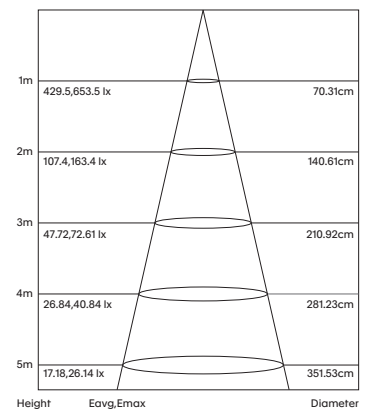
Light Distribution

LINEIE-F2C-4W-3K-40



Room Reflectance	Room Index										
Ceiling Walls Floor	0.80	1.00	1.25	1.50	2.00	2.50	3.00	4.00	5.00		
70 50 20	93	96	100	103	105	107	108	110	112		

Cone Diagram



1 Luminaire efficacy based on CCT 3000K; CCT variation will alter efficacy
2 +/- 10% stated initial LED and luminous flux tolerance
3 Colour Rendering Index; >90 Standard (Osram SMD series)
4 Charges apply for non-standard colour/s and dimming options
5 Five year manufacturer's warranty covering product defects and performance deficiencies