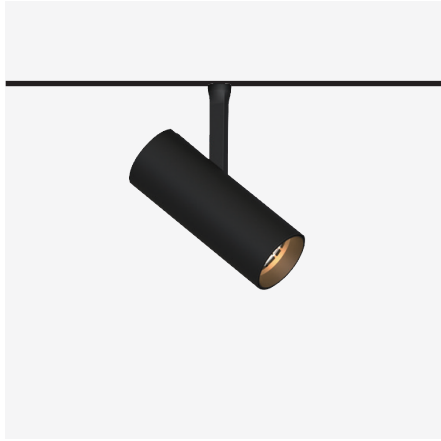


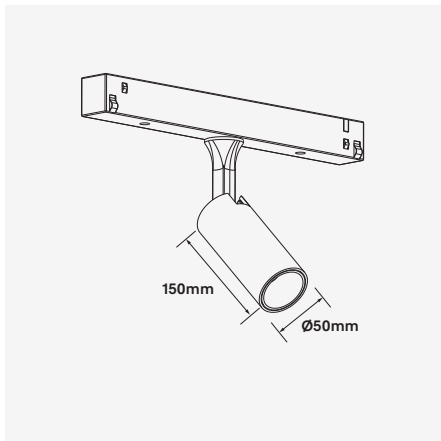
## Mojo-2

### 12W Single Round 48VDC LED Track Luminaire



Luminaire Finishes

Black (BK) White/Black (WH/BK)



WATTAGE 12W
355° 90°
3-Step
Bluetooth
CE
WARRANTY 5YR

VOLTAGE 48VDC
15° / 24° / 38°
CRI (Ra) >90
IP 20
Track

A 48VDC low voltage track system is synonymous with electrical safety, permitting greater flexibility and ease of use including installation. The luminaire can be installed and moved to any position without the need for turning off the power to the track. This is due to its low voltage input of 48VDC. No tools are required, the luminaires simply snap-lock into position, remaining in place until you want to remove or re-position the luminaire.

The elegant and minimalist design permits a range of micro luminaires ranging from spots, pendants and linear sources with many features. The system features simple on/off operation with additional dimming options to suit a number of protocols such as DALI or Bluetooth dimming. The system is designed to suit applications from residential through to retail and commercial. The Mojo-2 is covered by a 5 year warranty.

- Luminaire wattage: 12W (System)
- Luminous flux: 821.31Lm<sup>2</sup>
- Luminaire efficacy: 68.44Lm/W<sup>1</sup>
- Correlated colour temperature: 2700K, 3000K, 4000K
- Colour rendering index: >90<sup>3</sup>
- 3-Step-MacAdams Ellipse
- LED Brand: Citizen COB LED
- Optical distribution: 15°, 24°, 38°
- Ø50mm Trim x 150mm Length
- Luminaire finishes: Black, White/Black
- Ingress protection rating: IP20
- Working voltage: 48VDC constant voltage
- Flicker free DC-DC internal driver
- Longevity: >50,000Hrs L90 B10
- Requires 48VDC remote driver and Track-System
- Dimming: DALI-2, BLE (Casambi) on request<sup>4</sup>
- Weight: 340g
- Warranty: 5 year<sup>5</sup>

Model	LED Output <sup>2</sup>	Luminous Flux <sup>2</sup>	System Wattage	CCT	CRI <sup>3</sup>	Distribution
MOJO-2-12W-3K	1100Lm	821.31Lm	12W	3000K	>90	15°, 24°, 38°

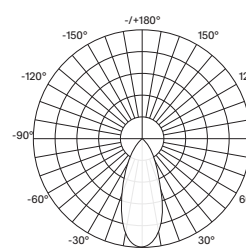
For Non-dimming add suffix ND  
For DALI-2 dimming add suffix D  
For BLUETOOTH dimming add suffix BT

Example product order code configuration: MOJO-2-12W-3K-24-ND-(BK)

Model	Wattage	CCT	Distribution	Driver	Luminaire Finish					
MOJO-2	+	12W	+	3K	+	24	+	ND	+	BK

#### Light Distribution

MOJO-2-12W-3K-38



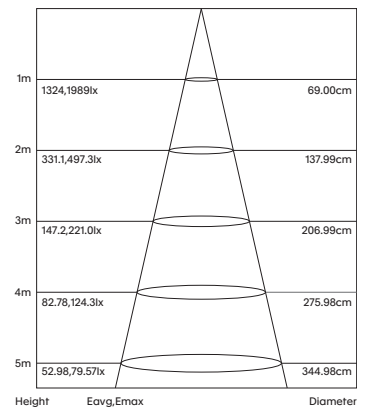
Light output ratio		
LOR		100%
ULOR		0%
DLOR		100%
FFR	0.00 (0:100)	
BLF		1.00

LUMINANCE cd/(m²)		
G(°)	C0/180	C90/270
85	0	0
80	0	0
75	0	0
70	0	0
65	488	124
60	2238	1043
55	4413	4091
50	9110	4906

Room Reflectance		Utilisation Factors												
Ceiling	Walls	Floor	Room Index											
0.80	1.00	1.25	1.50	2.00	2.50	3.00	4.00	5.00						
70	50	20	91	95	99	102	105	106	108	110	112			

#### Cone Diagram



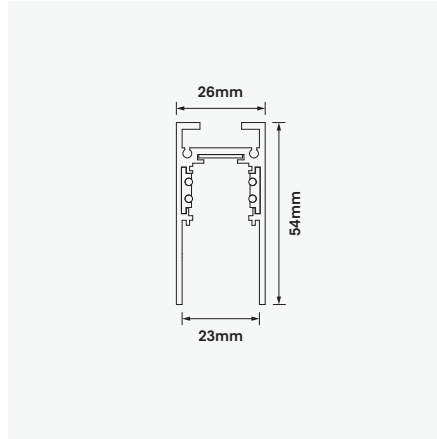
1 Luminaire efficacy based on CCT 3000K; CCT variation will alter efficacy  
2 +/- 10% stated initial LED and luminous flux tolerance  
3 Colour Rendering Index: >90 Standard (Citizen COB Series)  
4 Additional charges apply for non-standard colour/s and dimming options  
5 Five year manufacturer's warranty covering product defects and performance deficiencies

## Mojo-2

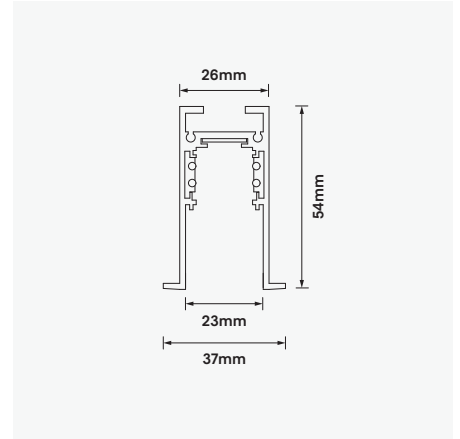
### 12W Single Round 48VDC LED Track Luminaire

#### 48VDC TRACK-SYSTEM track options

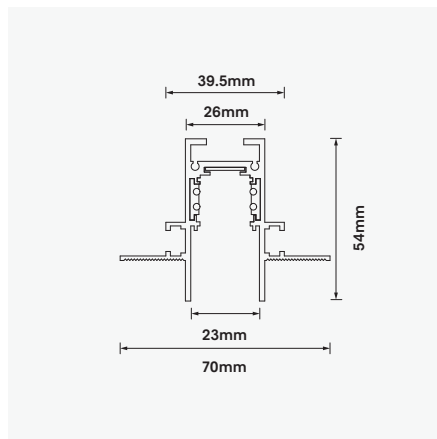
Surface / Suspended Track  
Product No: TR-SM26  
Colour: Black  
Size: W26mm x H54mm



Recessed Track  
Product No: TR-REC26  
Colour: Black  
Size: W37mm x H54mm



Recessed Trimless Track  
Product No: TR-TL26  
Colour: Black  
Size: W70mm x H54mm



- 1 Luminaire efficacy based on CCT 3000K; CCT variation will alter efficacy
- 2 +/- 10% stated initial LED and luminous flux tolerance
- 3 Colour Rendering Index: >90 Standard (Citizen COB Series)
- 4 Additional charges apply for non-standard colour/s and dimming options
- 5 Five year manufacturer's warranty covering product defects and performance deficiencies