

## Morq-A90

### 10W Adjustable Semi Recessed Downlight



Luminaire Finishes

White (WH)  Black (BK)

Baffle Finish

Black (BK)



WATTAGE 10W
CRI (Ra) >90
UGR <19
Bluetooth
Z
ball
CE
WARRANTY 5YR

3-Step
360° 50°
Ø 90
IP 20
30°

Morq-A90 is an LED semi-recessed architectural luminaire providing symmetrical, low-glare illumination. Quality manufactured and Italian designed, the semi-recessed downlight offers optimised and efficient performance. In either a classic white or solid black exterior with black baffle it suits a variety of residential and architectural applications.

Quality die-cast constructed with optical grade internal reflector for precise illumination, the Morq uses Zhaga compliant Citizen LED technology with a control gear from industry leading Tridonic. The fitting provides various dimming options including DALI-2 and Bluetooth wireless dimming and comes with a 5 year warranty.

- Luminaire wattage: 10W (System 13W)
- Luminous flux: 855-920Lm<sup>2</sup>
- Luminaire efficacy: 65.78Lm/W<sup>1</sup>
- Correlated colour temperature: 2700K, 3000K
- Colour rendering index: >90<sup>3</sup>
- Mac-Adams Ellipse: 3-SDCM
- LED brand: Citizen SMD LED
- Glare control: <19
- Symmetrical distribution: 30°
- Outer trim: Ø110mm; Ceiling cut-out Ø90mm
- Ingress protection rating: IP20
- Luminaire finishes: White, Black
- Baffle options: Black
- Longevity: >50,000Hrs L80 B10
- Driver: Tridonic non-dimmable LED driver as standard
- Dimming: DALI-2, BLE (basicDIM Wireless /Casambi) on request<sup>4</sup>
- Weight: 480g (inc. non-dimmable driver)
- Warranty: 5 years<sup>5</sup>

Model	LED Output <sup>2</sup>	Luminous Flux <sup>2</sup>	LED Wattage	System Wattage	CCT	CRI <sup>3</sup>	Distribution
MORQ-A90-10W-27K	1283Lm	855Lm	10.5W	13W	2700K	>90	30°
MORQ-A90-10W-3K	1308Lm	920Lm	10.5W	13W	3000K	>90	30°

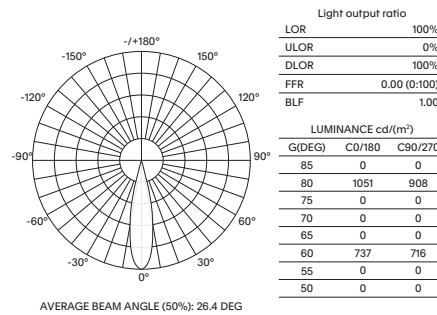
For Non-dimming add suffix ND  
For DALI-2 dimming add suffix D  
For BLUETOOTH dimming add suffix BT

Example product order code configuration: MORQ-A90-10W-3K-30-ND-(WH/BK)

Model	Wattage	CCT	Distribution	Driver	Luminaire Finish / Baffle Finish					
MORQ-A90	+	10W	+	3K	+	30	+	D	+	WH/BK

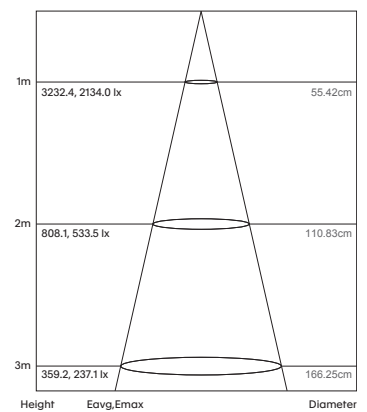
#### Light Distribution

MORQ-A90-10W-3K-30



Room Reflectance	Utilisation Factors								
	Room Index								
Ceiling   Walls   Floor	1.00	2.00	3.00	4.00	5.00	6.00	7.00	8.00	9.00
70   50   20	1.09	1.03	0.97	0.91	0.87	0.82	0.78	0.74	0.70

#### Cone Diagram



1 Luminaire efficacy based on CCT 3000K; CCT variation will alter efficacy  
2 +/- 10% stated initial LED and luminous flux tolerance  
3 Colour Rendering Index; >90 Standard (Citizen COB series)  
4 Charges apply for non-standard colour/s and dimming options  
5 Five year manufacturer's warranty covering product defects and performance deficiencies