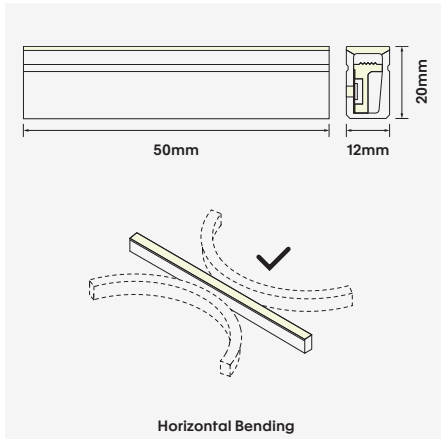
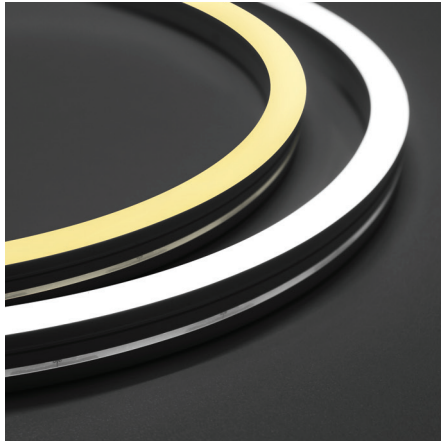


## Intense-S-1220

### 5W / 10W / 15W Flexible Side Bend Neon Flex



#### Power feed options

INTENSE-S-1220-EC  
Silicone end cap



INTENSE-S-1220-PFE  
Power feed - End



INTENSE-S-1220-PFB  
Power feed - Bottom



INTENSE-S-1220-PFL  
Power feed - Left



INTENSE-S-1220-PFR  
Power feed - Right



#### Accessories

INTENSE-S-1220-X  
MC Mounting Clip 25mm  
MP Mounting Profile 1m



WATTAGE 5W / 10W / 15W

120°

3-Step

Bluetooth

bali

CE

WARRANTY 5YR

CRI (Ra) >90

24VDC

SINGLE BIN

IP 67

UV Resistance

Saltwater Resistance

DMX ↔ RDM ↔

SIDE BEND

Intense-S presents an efficient and versatile 24V flexible side bending neon system suitable for a range of applications. Intense-S features advanced LED technology, high colour rendering capability and a flexible silicon exterior.

IP67 rated and UV stable it is able to withstand damp and most harsh exterior applications making it suitable for landscape architecture as well as internal applications where a continuous line of light is needed, even around bends.

Integrating branded constant voltage LED drivers from brands such as Vossloh-Schwabe, Tridonic or Meanwell with DALI-2 or Bluetooth dimming available on request, the Intense series comes with a 5 year warranty.

- Luminaire wattage/m: 5W, 10W, 15W
- Luminous flux/m: 152-170Lm, 303-335Lm, 431-470Lm<sup>2</sup>
- Luminaire efficacy: 31.6Lm/W, 30.7Lm/W, 28.8Lm/W<sup>1</sup>
- Correlated colour temperature: 2700K, 3000K, 4000K
- Colour rendering index: >90<sup>3</sup>
- Single Bin CCT selection
- LED Source / Quantity: SMD2835; 120pcs/m
- Symmetrical distribution: 120°
- Minimum Cuttable Section: 50mm (group of 6 x SMD LED)
- Ingress protection rating: IP67
- Longevity: >50,000Hrs L80
- Installation: Mounting clips or aluminium mounting profile optional<sup>4</sup>
- Driver: Requires 24VDC non-dimmable constant voltage LED driver<sup>4</sup>
- Dimming: Remote DALI-2, BLE (basicDIM Wireless/ Casambi) on request<sup>4</sup>
- Warranty: 5 years<sup>5</sup>

Model	Luminous Flux/m <sup>2</sup>	LED Wattage/m	CCT	CRI <sup>3</sup>	Distribution	Number of LED/m	Max. Continuous length/m
INTENSE-S-1220-5W-27K	152.7Lm	5W	2700K	>90	120°	120	28m
INTENSE-S-1220-5W-3K	152.7Lm	5W	3000K	>90	120°	120	28m
INTENSE-S-1220-5W-4K	170Lm	5W	4000K	>90	120°	120	28m
INTENSE-S-1220-10W-27K	303Lm	10W	2700K	>90	120°	120	18m
INTENSE-S-1220-10W-3K	307Lm	10W	3000K	>90	120°	120	18m
INTENSE-S-1220-10W-4K	335Lm	10W	4000K	>90	120°	120	18m
INTENSE-S-1220-15W-27K	431Lm	15W	2700K	>90	120°	120	15m
INTENSE-S-1220-15W-3K	432Lm	15W	3000K	>90	120°	120	15m
INTENSE-S-1220-15W-4K	470Lm	15W	4000K	>90	120°	120	15m

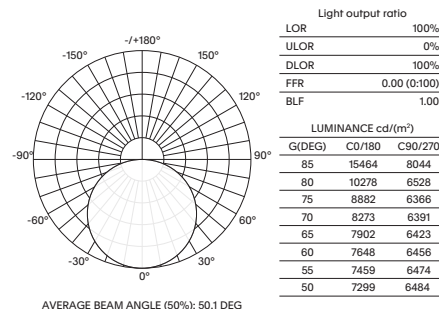
For Non-dimming add suffix ND  
For DALI-2 dimming add suffix D  
For BLUETOOTH dimming add suffix BT  
For DMX-512 dimming add suffix DMX

Example product order code configuration: INTENSE-S-1220-10W-3K-ND

Model	Wattage	CCT	Driver
INTENSE-S-1220	10W	3K	ND

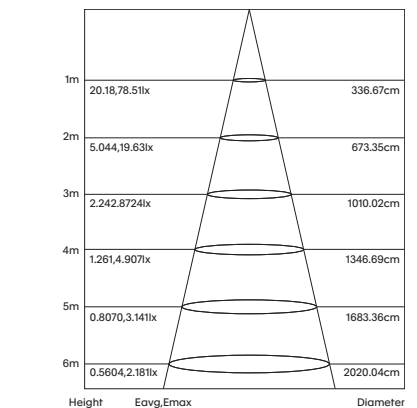
#### Light Distribution

INTENSE-S-1220-10W-3K



Utilisation Factors	
Room Reflectance	Room Index
Ceiling   Walls   Floor	0.80   1.00   1.25   1.50   2.00   2.50   3.00   4.00   5.00
70   50   20	48   56   64   69   77   82   86   91   95

#### Cone Diagram



- 1 Luminaire efficacy based on CCT 3000K; CCT variation will alter efficacy
- 2 +/- 10° stated initial LED and Luminous Flux tolerance
- 3 Colour Rendering Index: >90 Standard
- 4 Charges apply for non-standard colour/s, LED drivers and dimming options
- 5 Five year manufacturer's warranty covering product defects and performance deficiencies