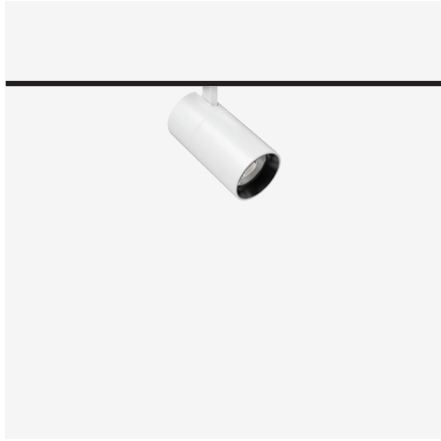


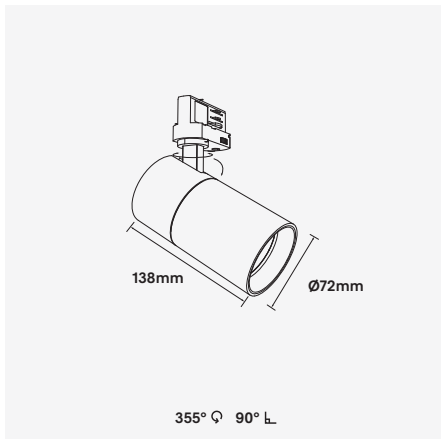
Siena-TR70

13W / 18W Single Round LED Track Luminaire



Luminaire Finishes

Black (BK) White/Black (WH/BK)



Accessories

SIENA-HC-D70
Honeycomb mesh



WATTAGE 13W / 18W	355° / 90°	3-Step	Bluetooth	CE	WARRANTY 5YR
VOLTAGE 240VAC	15° / 25° / 30°	CRI (Ra) >90	IP 20	Track	

LED track mounted architectural luminaire series providing symmetrical, versatile, low-glare light distribution. With a minimal design and high quality componentry in a compact housing, it is available in a range of correlated colour temperatures. Suitable for a range of applications from residential, retail spaces, office and commercial fit-outs.

Siena also offers various dimming options from DALI-2 through to the latest in Bluetooth wireless technology. Die-cast aluminium construction for optimal thermal dissipation and precision formed optics with a range of distributions. Integrating Zhaga compliant Citizen LED technology with industry leading driver technology, Siena offers a 5 year warranty.

- Luminaire wattage: 13W, 18W (System 15W, 21W)
- Luminous flux: 1094-1496Lm / 1457-1986Lm²
- Luminaire efficacy: 99.73Lm/W, 94.57Lm/W¹
- Correlated colour temperature: 3000K, 4000K
- Colour rendering index: >90³
- 3-Step-MacAdams Ellipse
- LED Brand: Citizen COB LED
- Optical distribution: 15°, 25°, 30°
- Ø72mm Trim x 138mm Length
- Luminaire finishes: Black, White/Black
- Ingress protection rating: IP20
- Longevity: >50,000Hrs L80 B10
- Requires 3-Circuit track system⁴
- 3-Circuit Track adaptor as standard
- Dimming: DALI-2, BLE (Casambi) on request⁴
- Weight: 670g (excluding driver)
- Warranty: 5 year⁵

Model	LED Output ²	Luminous Flux ²	LED Wattage	System Wattage	CCT	CRI ³	Distribution
SIENA-TR70-13W-3K-15	1500Lm	1094Lm	13W	15W	3000K	>90	15°
SIENA-TR70-13W-4K-15	1600Lm	1173Lm	13W	15W	4000K	>90	15°
SIENA-TR70-13W-3K-25	1500Lm	1218Lm	13W	15W	3000K	>90	25°
SIENA-TR70-13W-4K-25	1600Lm	1355Lm	13W	15W	4000K	>90	25°
SIENA-TR70-13W-3K-30	1500Lm	1362Lm	13W	15W	3000K	>90	30°
SIENA-TR70-13W-4K-30	1600Lm	1496Lm	13W	15W	4000K	>90	30°
SIENA-TR70-18W-3K-15	2000Lm	1457Lm	18W	21W	3000K	>90	15°
SIENA-TR70-18W-4K-15	2100Lm	1601Lm	18W	21W	4000K	>90	15°
SIENA-TR70-18W-3K-25	2000Lm	1643Lm	18W	21W	3000K	>90	25°
SIENA-TR70-18W-4K-25	2100Lm	1812Lm	18W	21W	4000K	>90	25°
SIENA-TR70-18W-3K-30	2000Lm	1797Lm	18W	21W	3000K	>90	30°
SIENA-TR70-18W-4K-30	2100Lm	1986Lm	18W	21W	4000K	>90	30°

For Non-dimming add suffix ND
For DALI-2 dimming add suffix D
For BLUETOOTH dimming add suffix BT

Example product order code configuration: SIENA-TR70-13W-3K-25-ND-(BK)

Model	Wattage	CCT	Distribution	Driver	Luminaire Finish					
SIENA-TR70	+	13W	+	3K	+	25	+	ND	+	BK

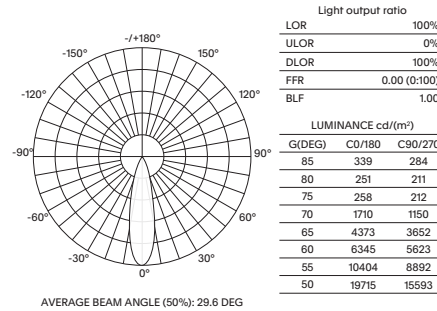
1 Luminaire efficacy based on CCT 3000K; CCT variation will alter efficacy
2 +/- 10% stated initial LED and luminous flux tolerance
3 Colour Rendering Index: >90 Standard (Citizen COB Series)
4 Charges apply for non-standard colour/s, 3-circuit track and dimming options
5 Five year manufacturer's warranty covering product defects and performance deficiencies

Siena-TR70

13W / 18W Single Round LED Track Luminaire

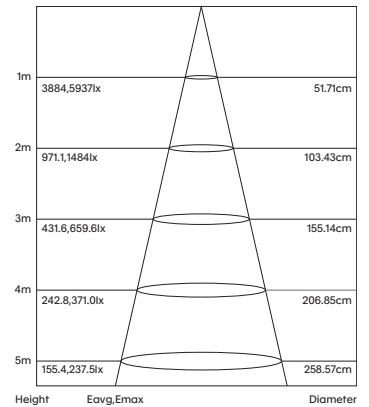
Light Distribution

SIENA-TR70-18W-3K-30



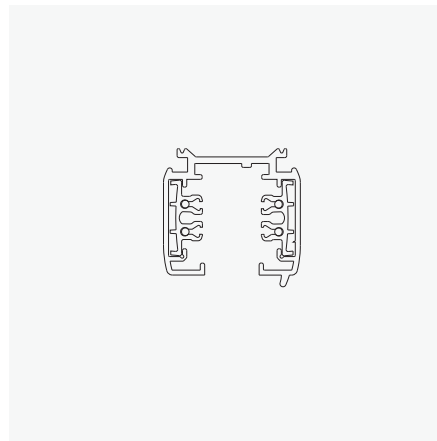
Room Reflectance		Utilisation Factors																	
Ceiling	Walls Floor	0.80		1.00		1.25		1.50		2.00		2.50		3.00		4.00		5.00	
70	50 20	90	94	98	101	104	106	107	110	111									

Cone Diagram

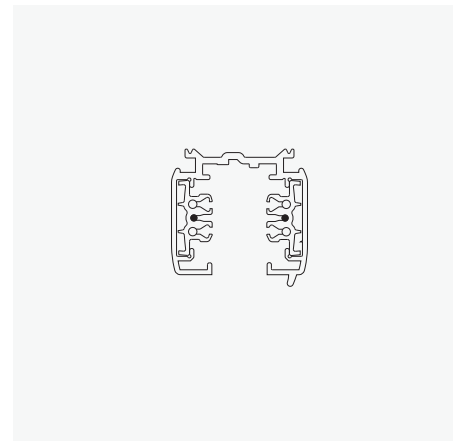


240VAC TRACK-SYSTEM track options

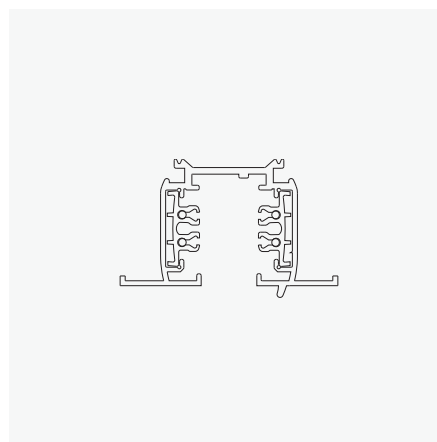
3-Circuit Surface Track
Product No: PRO-TRK-SM-3C
Colour: White, Black, Silver
Size: W35.2 x H32.5mm



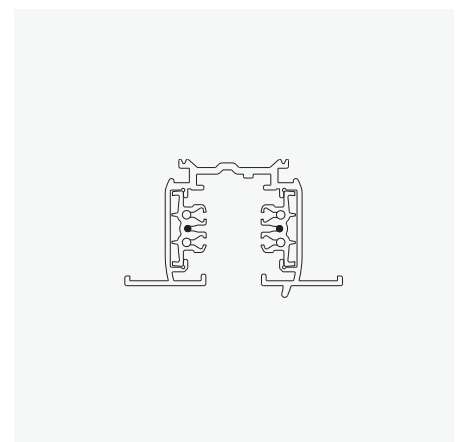
3-Circuit Surface DALI Track
Product No: PRO-TRK-SM-3C-D
Colour: White, Black, Silver
Size: W35.2 x H32.5mm



3-Circuit Recessed Track
Product No: PRO-TRK-REC-3C
Colour: White, Black, Silver
Size: W56 x 35.5mm



3-Circuit Recessed DALI Track
Product No: PRO-TRK-REC-3C-D
Colour: White, Black, Silver
Size: W56 x 35.5mm



- 1 Luminaire efficacy based on CCT 3000K; CCT variation will alter efficacy
- 2 +/- 10% stated initial LED and luminous flux tolerance
- 3 Colour Rendering Index: >90 Standard (Citizen COB Series)
- 4 Charges apply for non-standard colour/s, 3-circuit track and dimming options
- 5 Five year manufacturer's warranty covering product defects and performance deficiencies