

Twist-S

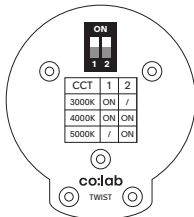
5W / 9W Fixed LED Recessed Downlight



Luminaire Finishes

White (WH) Black (BK)

CCT Adjustable



Accessories

TWIST-S-Ring
Deep-Set ring



Twist is a modular fixed downlight series with an extensive range of cut-out sizes and wattages and a unique trim twist-lock design that enables versatility and functionality across a range of applications.

Suitable for new builds and ideal as a complete retro-fit downlight solution the Twist LED modules comes in 3 core sizes (small, medium and large) covering a wattage range of up to 40 Watts across the series. Each module has an IP44 rating as standard (IP54 module optional) and comprises interchangeable twist lock trims that adapt to a vast array of pre-existing ceiling cut outs.

The Twist, with its functional twist lock design is constructed of die-cast aluminium, a polycarbonate lens and integrates Osram CCT adjustable LED technology. The Twist luminaire series offers a 5 year warranty.

- Luminaire wattage: 5W, 9W (System)
- Luminous flux: 356-389Lm, 698-785Lm²
- Luminaire efficacy: 75.83Lm/W, 82.42Lm/W¹
- Correlated colour temperature: 3000K, 4000K, 5000K (Dip-switch selectable)
- Colour rendering index: >85³
- Mac-Adams Ellipse: 3-SDCM
- LED brand: OSRAM SMD LED
- Symmetrical distribution: 100°
- Trim A: Outer Trim Ø95mm; Ceiling cut-out Ø75-85mm
- Trim B: Outer Trim Ø110mm; Ceiling cut-out Ø80-100mm
- Ingress protection rating: IP44
- Luminaire finishes: White; Black
- Deep-set baffle options: Black
- Longevity: >50,000Hrs L80 B10
- Driver: Mains dimmable LED driver as standard
- Dimming: DALI-2, BLE (basicDIM Wireless / Casambi) on request⁴
- Weight: 165g (excluding driver)
- Warranty: 5 years⁵

Model	Luminous Flux ²	System Wattage	CCT	CRI ³	Distribution	Application Frames
TWIST-S-5W-3K	356Lm	5W	3000K	>85	100°	TWIST-SA/SB
TWIST-S-5W-4K	389Lm	5W	4000K	>85	100°	TWIST-SA/SB
TWIST-S-5W-5K	380Lm	5W	5000K	>85	100°	TWIST-SA/SB
TWIST-S-9W-3K	689Lm	9W	3000K	>85	100°	TWIST-SA/SB
TWIST-S-9W-4K	785Lm	9W	4000K	>85	100°	TWIST-SA/SB
TWIST-S-9W-5K	736Lm	9W	5000K	>85	100°	TWIST-SA/SB

For MAINS dimming add suffix MD
For DALI-2 dimming add suffix D
For BLUETOOTH dimming add suffix BT

Example product order code configuration: TWIST-S-5W-3K-100-D-SA-(WH/BK)

Model	Wattage	CCT	Distribution	Driver	Frame / Luminaire Finish / Baffle Finish					
TWIST-S	+	5W	+	3K	+	100	+	D	+	SA/WH/BK

Frame Model	Frame Size	Frame Cut-Out	Finish	Image
TWIST-SA	Ø95mm	Ø75-85mm	Satin White	
TWIST-SB	Ø110mm	Ø80-100mm	Satin White	

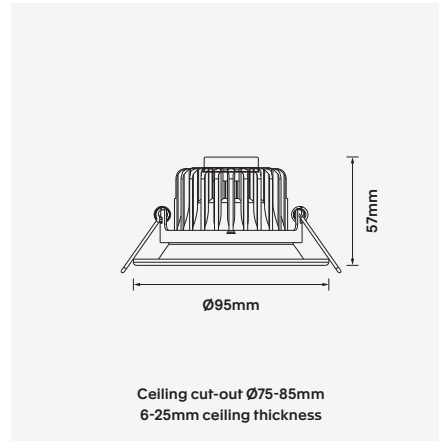
1 Luminaire efficacy based on CCT 3000K; CCT variation will alter efficacy
2 +/- 10% stated initial LED and luminous flux tolerance
3 Colour Rendering Index: >85 Standard (OSRAM SMD Series)
4 Additional charges apply for non-standard colour/s and dimming options
5 Five year manufacturer's warranty covering product defects and performance deficiencies

Twist-S

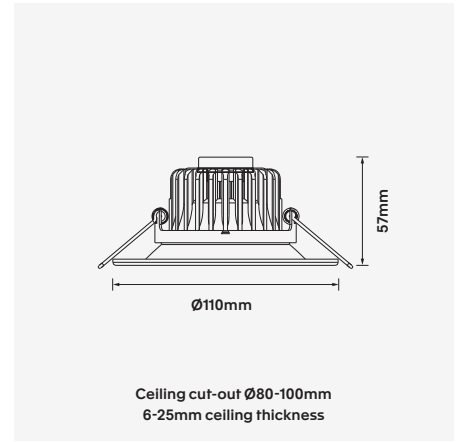
5W / 9W Fixed LED Recessed Downlight

Fixed LED Recessed Downlight options

TWIST-SA

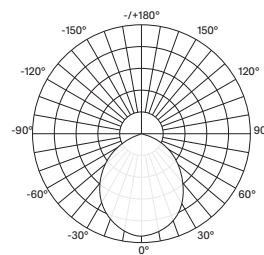


TWIST-SB



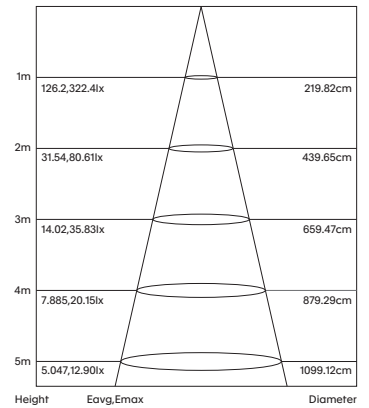
Light Distribution

TWIST-S-9W-3K



Light output ratio		
LOR	100%	
ULOR	0%	
DLOR	100%	
FFR	0.00 (0:100)	
BLF	1.00	
LUMINANCE cd/(m²)		
G(DEG)	C0/180	C90/270
85	2593	3178
80	3205	3540
75	8236	9558
70	16769	16268
65	25043	26781
60	32510	33906
55	38654	39705
50	43062	43889

Cone Diagram



- 1 Luminaire efficacy based on CCT 3000K; CCT variation will alter efficacy
- 2 +/- 10% stated initial LED and luminous flux tolerance
- 3 Colour Rendering Index: >85 Standard (OSRAM SMD Series)
- 4 Additional charges apply for non-standard colour/s and dimming options
- 5 Five year manufacturer's warranty covering product defects and performance deficiencies