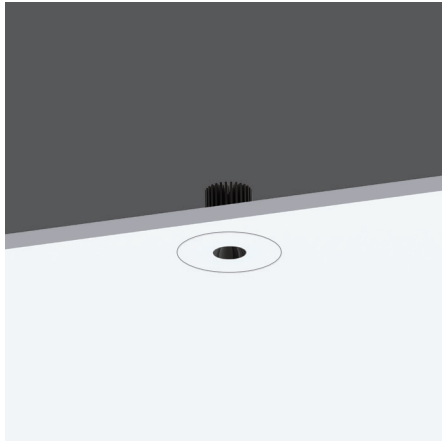


## Twinkle-MH-TL1

### 8.5W Fixed Trimless Recessed Downlight with access panel

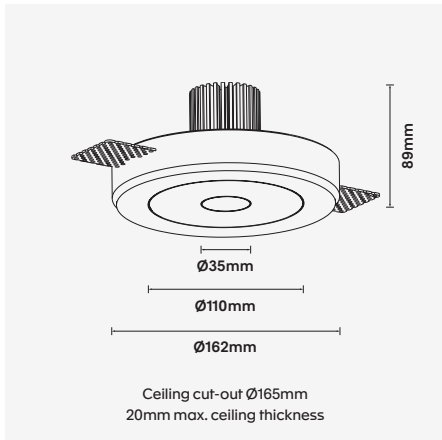


Luminaire Finish

White (WH) Gypsum

Baffle Finish

Black Chrome (BC)



WATTAGE 8.5W
Ø165
3-Step
Bluetooth
Z
BAIT
CE
WARRANTY 5YR

UGR <13
CRI (Ra) >90
20, 30°
IK 03
IP 20

The Twinkle LED downlight series offers optimised and efficient performance with symmetrical, low-glare illumination. The recessed LED architectural luminaire with a Ø35mm aperture offering a discrete pin-hole appearance with a luxurious black-chrome surface finish. Plaster set trimless finish giving a seamless integration into any plaster board ceiling installation.

Available in a range of colour temperatures and lumen packages. Integrating class leading Cree LED technology and coupled with Tridonic LED driver with optional dimming options. Twinkle series offers a 5 year warranty.

Note: MH = Man-Hole access, allowing easy access of the module and LED driver.

- Luminaire wattage: 8.5W (System 10W)
- Luminous flux: 468-490Lm<sup>2</sup>
- Luminaire efficacy: 47Lm/W<sup>1</sup>
- Correlated colour temperature: 2700K, 3000K
- Colour rendering index: >90 standard<sup>3</sup>
- Mac-Adams Ellipse: 3-SDCM
- LED brand: Cree SMD LED
- Glare control: UGR<13
- Symmetrical distribution: 20°, 30°
- Outer trim Ø162mm; Ceiling cut-out Ø165mm
- Ingress protection rating: IP20
- Luminaire finishes: White Gypsum
- Baffle Option: Black Chrome
- Longevity: >50,000Hrs L80 B10
- Driver: Tridonic non-dimmable LED driver as standard
- Dimming: DALI-2, BLE (basicDIM Wireless / Casambi) on request<sup>4</sup>
- Weight: 660g (excluding driver)
- Warranty: 5 years<sup>5</sup>

Model	LED Output <sup>2</sup>	Luminous Flux <sup>2</sup>	LED Wattage	System Wattage	CCT	CRI <sup>3</sup>	Distribution
TWINKLE-MH-TL1-8.5W-27K	980Lm	473Lm	8.5W	10W	2700K	>90	20°
TWINKLE-MH-TL1-8.5W-3K	1050Lm	495Lm	8.5W	10W	3000K	>90	20°
TWINKLE-MH-TL1-8.5W-27K	980Lm	473Lm	8.5W	10W	2700K	>90	30°
TWINKLE-MH-TL1-8.5W-3K	1050Lm	495Lm	8.5W	10W	3000K	>90	30°

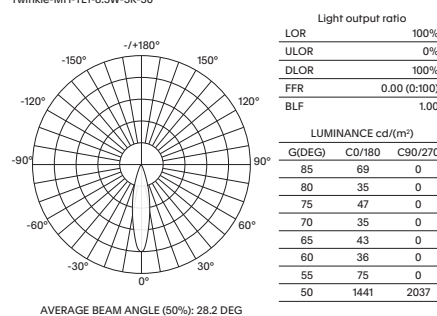
For Non-dimming add suffix ND  
For DALI-2 dimming add suffix D  
For BLUETOOTH dimming add suffix BT

Example product order code configuration: TWINKLE-MH-TL1-8.5W-3K-30-D-(WH/BC)

Model	Wattage	CCT	Distribution	Driver	Luminaire Finish / Baffle Finish
TWINKLE-MH-TL1	8.5W	3K	30	D	WH/BC

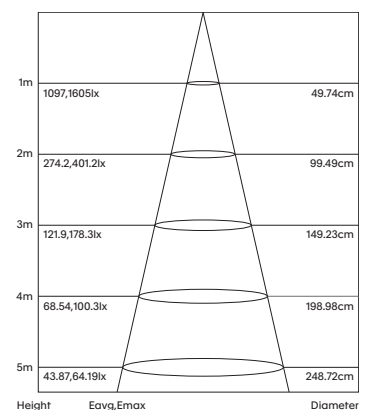
#### Light Distribution

Twinkle-MH-TL1-8.5W-3K-30



Room Reflectance		Room Index									
Ceiling	Walls	0.80	1.00	1.25	1.50	2.00	2.50	3.00	4.00	5.00	
70	50	92	96	100	103	105	107	108	110	112	

#### Cone Diagram



1 Luminaire efficacy based on CCT 3000K; CCT variation will alter efficacy  
2 +/- 10% stated initial LED and luminous flux tolerance  
3 Colour Rendering Index: >90 Standard (Cree SMD LED series)  
4 Additional charges apply for non-standard colour/s and dimming options  
5 Five year manufacturer's warranty covering product defects and performance deficiencies