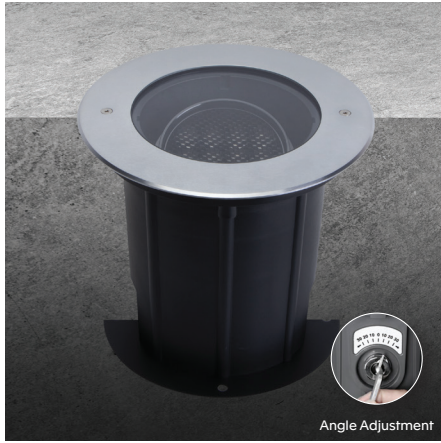


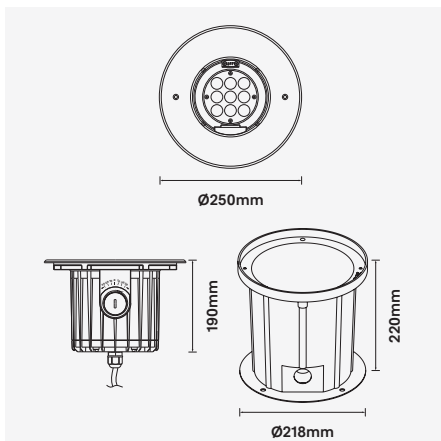
## Hydra-A250

### 18W Recessed Adjustable Landscape Luminaire

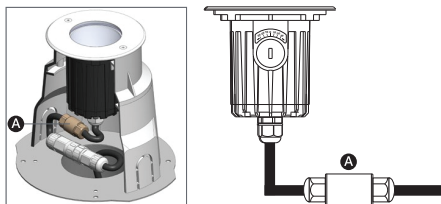


Luminaire Finish

Stainless Steel (SS)



Water Stopper (Included)



The Hydra recessed landscape luminaire will generate high internal temperatures whilst in use. This will generate a negative pressure once the luminaire is turned off enabling water and vapours to be sucked into the fitting and causing irreparable damage. This is why this device is fitted as standard to the entire Hydra series.

**WATTAGE 18W**    **± 30° Tilt**    **IP 67**    **IK 10**    **Bluetooth**    **CE**    **WARRANTY 5YR**  
**VOLTAGE 24VDC**    **3-Step**    **CRI (Ra) >80**    **13° / 25° / 30°**    **Recessed**

Hydra-A250 is part of the expansive Hydra Series of tilt adjustable recessed luminaires. Versatile and extremely flexible with an extra low-voltage DC24V power input it is suitable for children's play areas, public spaces, shopping precincts and commercial and residential spaces.

Hydra is constructed from quality die-cast aluminium and a CNC machined stainless steel fascia for extended durability. Using tempered glass with an IK09 rating and a drive over rating of 5513kg it is tilt adjustable for precise illumination. Hydra uses a class leading NICHIA LED as standard with a wide range of optical distributions and a honeycomb louvre for anti-glare illumination in public spaces.

Hydra comes as standard with on/off controls and optional DALI dimming on request. The Hydra-A250 Series comes with a 5 year warranty.

- Luminaire wattage: 18W (System 25W)
- Luminous flux: 1389-1885Lm<sup>2</sup>
- Luminaire efficacy: 56.69Lm/W<sup>3</sup>
- Correlated colour temperature: 3000K, 4000K
- Colour rendering index: >80<sup>3</sup>
- Mac-Adams Ellipse: 3-SDCM
- LED brand: NICHIA COB LED
- Glare control: Low glare Honeycomb Louvre
- Symmetrical distribution: 13°, 25°, 30°
- Adjustability: ±30° tilt function
- Fitting Ø250mm Trim x Height 190mm; Recessed Sleeve Ø224mm Trim x Height 220mm x Base Ø218mm
- Ingress protection rating: IP67
- Impact protection: IK10
- Fascia: 316# stainless steel
- Glass Pressure Capacity: Full area=5513kgs
- Longevity: >50,000hrs L80 B10
- Nominal Working Voltage: 24VDC
- Driver: Requires 24VDC constant voltage LED driver, non-dimmable
- Dimming: DALI-2 & BLE (basicDIM Wireless) optional<sup>4</sup>
- Weight: 4.4kg (excl. driver)
- Warranty: 5 years<sup>5</sup>

Model	Luminous Flux <sup>2</sup>	LED Wattage	System Wattage	CCT	CRI <sup>3</sup>	Distribution
HYDRA-A250-18W-3K	1389Lm	18W	25W	3000K	>80	13°, 25°, 30°
HYDRA-A250-18W-4K	1885Lm	18W	25W	4000K	>80	13°, 25°, 30°

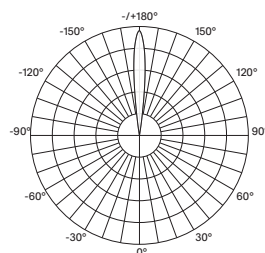
For Non-dimming add suffix ND  
For DALI-2 dimming add suffix D  
For BLUETOOTH dimming add suffix BT

Example product order code configuration: HYDRA-A250-18W-3K-25-ND-SS

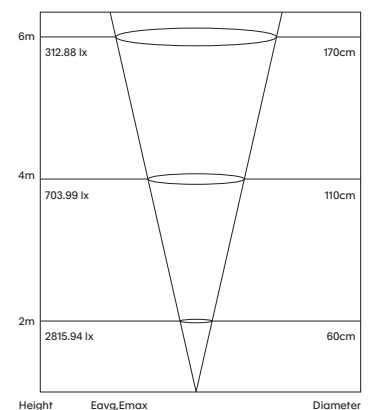
Model	Wattage	CCT	Distribution	Driver	Luminaire Finish
HYDRA-A250	18W	3K	25	ND	SS

#### Light Distribution

HYDRA-A250-18W-3K



#### Cone Diagram



1 Luminaire efficacy based on CCT 3000K; CCT variations will alter efficacy  
2 +/- 10% stated initial LED and luminous flux tolerance  
3 Colour rendering Index: >80 standard (NICHIA COB Series)  
4 Minimum order quantities apply for non-standard items and custom finishes will incur additional charges  
5 Five year manufacturer's warranty covering product defects and performance deficiencies