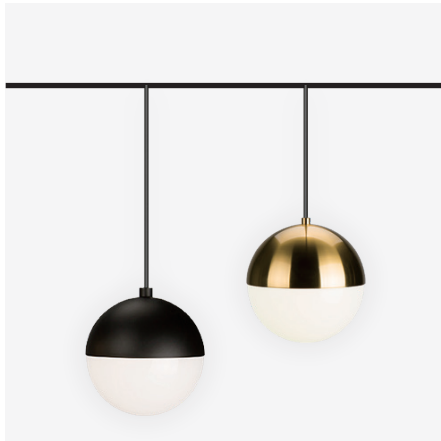


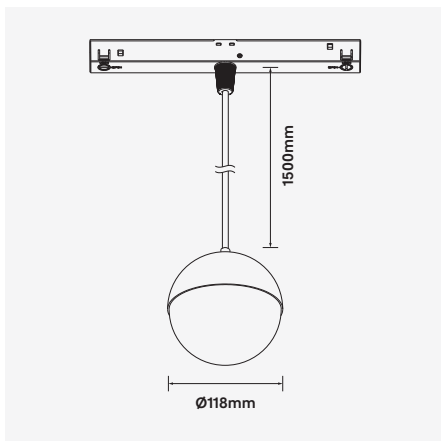
Eclipse-PD118

12W Single Spherical 48VDC LED Pendant Track Luminaire



Luminaire Finishes

Black (BK)
 White (WH)
 Bronze (BZ)



WATTAGE 12W

VOLTAGE 48VDC

3-Step

Bluetooth

WARRANTY 5YR

150°

CRI (Ra) >90

IP 20

Track

Suspended

A 48VDC low voltage track system is synonymous with electrical safety, permitting greater flexibility and ease of use including installation. The luminaire can be installed and moved to any position without the need for turning off the power to the track. This is due to its low voltage input of 48VDC. No tools are required, the luminaires simply snap-lock into position, remaining in place until you want to remove or re-position the luminaire.

The elegant and minimalist design permits a range of micro luminaires ranging from spots, pendants and linear sources with many features. The system features simple on/off operation with additional dimming options to suit a number of protocols such as DALI or Bluetooth dimming. The system is designed to suit applications from residential through to retail and commercial. The Eclipse-PD118 is covered by a 5 year warranty.

- Luminaire wattage: 12W (System)
- Luminous flux: 994Lm²
- Luminaire efficacy: 82.83Lm/W¹
- Correlated colour temperature: 2700K, 3000K, 4000K
- Colour rendering index: >90³
- 3-Step-MacAdams Ellipse
- LED Brand: Bridgelux SMD LED
- Optical distribution: 150°
- Ø118mm Spherical x 1500mm Adjustable Wire Suspension
- Luminaire finishes: Black, White, Bronze
- Ingress protection rating: IP20
- Working voltage: 48VDC constant voltage
- Flicker free DC-DC internal driver
- Longevity: >50,000Hrs L80 B10
- Requires 48VDC remote driver and Track-System
- Dimming: DALI-2, BLE (Casambi) on request⁴
- Weight: 385g
- Warranty: 5 year⁵

Model	LED Output ²	Luminous Flux ²	System Wattage	CCT	CRI ³	Distribution
ECLIPSE-PD118-12W-3K	1250Lm	994Lm	12W	3000K	>90	150°

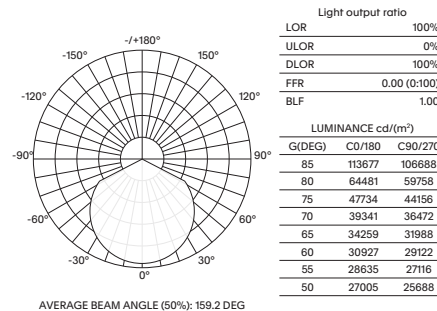
For Non-dimming add suffix ND
For DALI-2 dimming add suffix D
For BLUETOOTH dimming add suffix BT

Example product order code configuration: ECLIPSE-PD118-12W-3K-150-D-(BK)

Model	Wattage	CCT	Distribution	Driver	Luminaire Finish					
ECLIPSE-PD118	+	12W	+	3K	+	150	+	D	+	BK

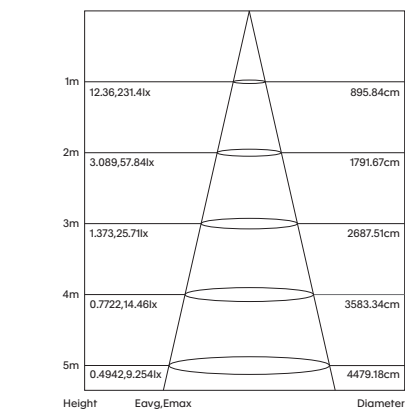
Light Distribution

ECLIPSE-PD118-12W-3K-150



Room Reflectance		Utilisation Factors									
Room	Index	0.80	1.00	1.25	1.50	2.00	2.50	3.00	4.00	5.00	
Ceiling	70	46	54	61	66	75	80	84	90	94	
Walls	50										
Floor	20										

Cone Diagram



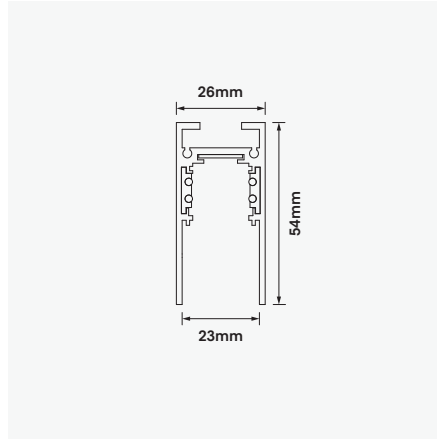
1 Luminaire efficacy based on CCT 3000K; CCT variation will alter efficacy
 2 +/- 10% stated initial LED and luminous flux tolerance
 3 Colour Rendering Index: >90 Standard (Bridgelux COB Series)
 4 Additional charges apply for non-standard colour/s and dimming options
 5 Five year manufacturer's warranty covering product defects and performance deficiencies

Eclipse-PD118

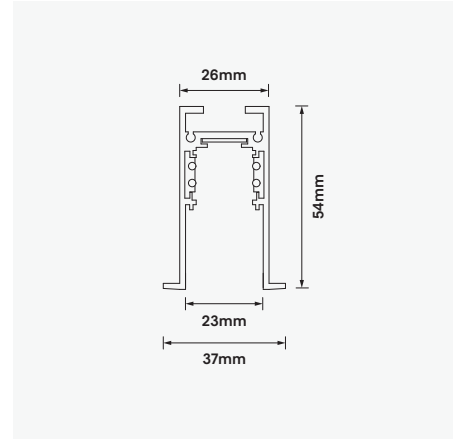
12W Single Spherical 48VDC LED Pendant Track Luminaire

48VDC TRACK-SYSTEM track options

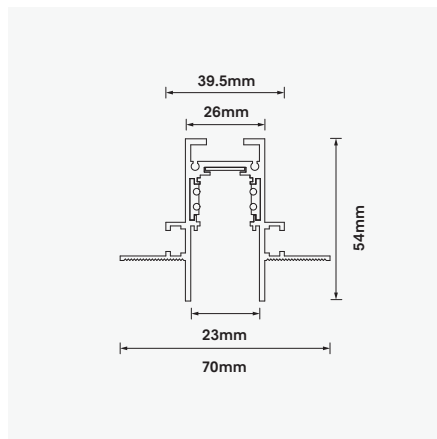
Surface / Suspended Track
Product No: TR-SM26
Colour: Black
Size: W26mm x H54mm



Recessed Track
Product No: TR-REC26
Colour: Black
Size: W37mm x H54mm



Recessed Trimless Track
Product No: TR-TL26
Colour: Black
Size: W70mm x H54mm



- 1 Luminaire efficacy based on CCT 3000K; CCT variation will alter efficacy
- 2 +/- 10% stated initial LED and luminous flux tolerance
- 3 Colour Rendering Index: >90 Standard (Bridgelux COB Series)
- 4 Additional charges apply for non-standard colour/s and dimming options
- 5 Five year manufacturer's warranty covering product defects and performance deficiencies