

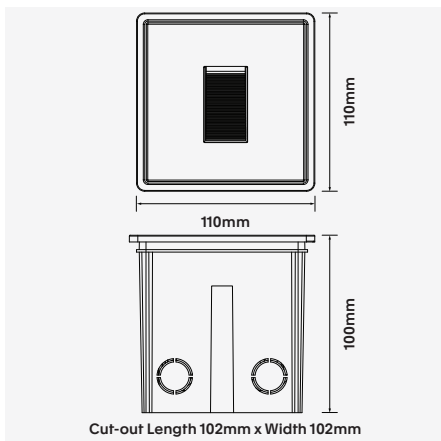
## Vega-WL1

### 4W Asymmetrical Recessed Wall Luminaire



Luminaire Finishes

Black (BK) Silver (SV)



WATTAGE 4W	3-Step	102 x 102	IK 08	CRI (Ra) >80	IP65	CE	WARRANTY 5YR
IP 65	VOLTAGE 240VAC	VOLTAGE 24VDC	Asymmetrical 48.3°	Low Glare	Wall mounted		

Vega is a part of CoLab's step and pathway luminaires, providing low glare and optimal illumination across a variety of landscape, step and pathway applications. Using a minimal design and an IP65 rating, it is composed from aluminium components, a PC lens and an engineered plastic housing for excellent weather resistance.

Vega provides both 24VDC and 240VAC to suit a varied range of installation types. Optional DALI dimming. Vega-WL series comes with a 5 year warranty.

- Luminaire wattage: 4W (System)
- Luminous flux: 290-300Lm<sup>2</sup>
- Luminaire efficacy: 72.5Lm/W<sup>1</sup>
- Correlated colour temperature: 3000K, 4000K
- Colour rendering index: >80<sup>3</sup>
- Mac-Adams Ellipse: 3-SDCM
- LED brand: Samsung SMD
- Direct light output ratio (LOR): 100%
- Upward light output ratio (ULOR): 0.0%
- Asymmetrical distribution: 48.3°
- Trim Length 110mm x Width 110mm:
- Cut-out Length 102mm x Width 102mm
- Ingress protection rating: IP65
- Impact protection rating: IK08
- Luminaire finishes: Black, Silver
- Longevity: >50,000Hrs L70 B50
- Driver: 240VAC (Non-dimmable), 24VDC (Non-dimmable) requires remote LED driver
- Dimming: DALI-2 dimming (240VAC)<sup>4</sup>
- Weight: 400g (excluding driver)
- Warranty: 5 years<sup>5</sup>

Model	LED Output <sup>2</sup>	Luminous Flux <sup>2</sup>	System Wattage	CCT	CRI <sup>3</sup>	Distribution
VEGA-WL1-4W-3K-ASY	350Lm	290Lm	4W	3000K	>80	Asymmetrical
VEGA-WL1-4W-4K-ASY	370Lm	300Lm	4W	4000K	>80	Asymmetrical

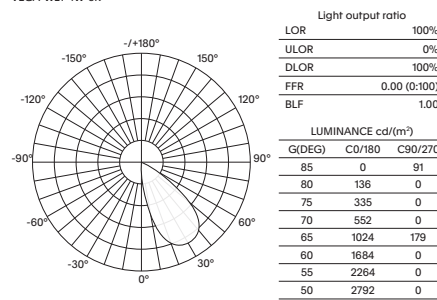
For Low-Voltage add suffix 24VDC  
For Non-dimming add suffix ND  
For DALI-2 dimming add suffix D

Example product order code configuration: VEGA-WL1-4W-3K-ASY-ND-(SV)

Model	Wattage	CCT	Distribution	Driver	Luminaire Finish					
VEGA-WL1	+	4W	+	3K	+	ASY	+	ND	+	SV

#### Light Distribution

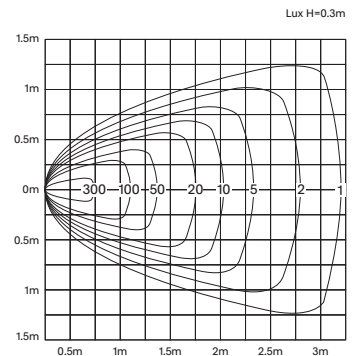
VEGA-WL1-4W-3K



AVERAGE BEAM ANGLE (50%): 48.3 DEG

Room Reflectance		Utilisation Factors								
Ceiling	Walls	Room Index								
70	50	1.00	1.25	1.50	2.00	2.50	3.00	4.00	5.00	
		0.80	0.82	0.89	0.94	0.97	1.01	1.03	1.05	1.08
	20									110

#### Cone Diagram



1 Luminaire efficacy based on CCT 3000K; CCT variations will alter efficacy  
2 +/- 5% stated initial LED and luminous flux tolerance  
3 Colour Rendering Index: >80 Standard (Samsung SMD Series)  
4 Additional charges apply for non-standard colour/s, remote 24VDC drivers and dimming options  
5 Five year manufacturer's warranty covering product defects and performance deficiencies