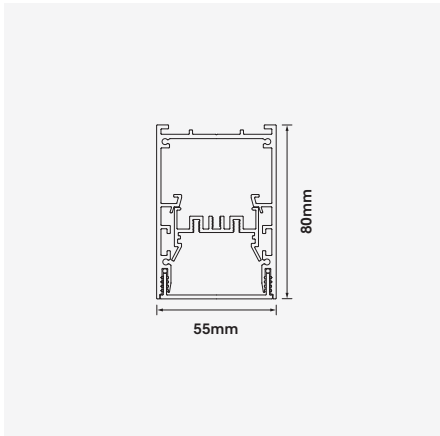


## Aqualuma-50-SM

### Surface Mounted IP Rated Linear LED Profile



Luminaire Finishes



#### Diffuser options

Opal PC (OP)  
Opal Polycarbonate

#### Accessories

Surface Mount Clip  
Adjustable surface mounting clip



Aqualuma-50 LED IP Rated linear lighting system offers a versatile solution to conventional lighting layouts. The configurable system enhances the possibility for engineers, designers and contractors to create varied lighting scenarios and environments in a single luminaire design. Available as standard in a zero dot LED PC diffuser for low visual glare and high impact resistance.

The Aqualuma-50 can be surface mounted to suit a variety of applications. The Aqualuma-50 integrates Vossloh Schwabe LEDs and controls + optional DALI-2 or Bluetooth dimming. Systems are backed by a 5 year warranty.

- Luminaire wattage: 11W, 19W, 28W (System 13W, 22W, 32W)
- Luminous flux/m: 1708-1820Lm, 3093-3180Lm, 3808-4088Lm<sup>2</sup>
- Luminaire efficacy/m: 154.24Lm/W, 160.61Lm/W, 140.97Lm/W<sup>1</sup>
- LED working current: 150mA, 250mA, 350mA
- Correlated colour temperature: 3000K, 4000K, 5000K
- Colour rendering index: >85<sup>3</sup> standard
- Mac-Adams Ellipse: 3-SDCM
- LED Brand: Vossloh-Schwabe (Nichia SMD)
- LED mounting: Zhaga compliant mounting
- Longevity: >72,000Hrs L80 B10
- Diffuser options: Opal PC
- Distribution: 110° opal diffuser
- Ingress & IK protection rating: IP65, IK08
- Luminaire finish: White, Black, Silver, Custom<sup>4</sup>
- Luminaire dimensions: Width 55 x Height 80mm
- x Custom Length
- Driver: Non-Dimmable Vossloh-Schwabe LED driver as standard
- Dimming: DALI-2, BLE (basicDIM Wireless / Casambi) on request<sup>4</sup>
- Weight/m: 2.85Kg
- Warranty: 5 years<sup>5</sup>

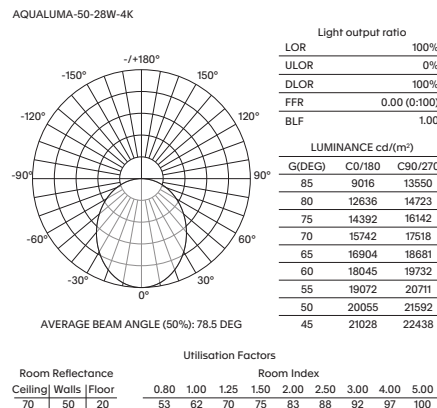
Model	LED Output/m <sup>2</sup>	Luminous Flux/m <sup>2</sup>	LED Wattage/m	System Wattage/m	CCT	CRI <sup>3</sup>	Distribution	Current
AQUALUMA-50-SM-11W-3K	2135Lm	1708Lm	11W	13W	3000K	>85	110°	150mA
AQUALUMA-50-SM-11W-4K	2275Lm	1820Lm	11W	13W	4000K	>85	110°	150mA
AQUALUMA-50-SM-11W-5K	2275Lm	1820Lm	11W	13W	5000K	>85	110°	150mA
AQUALUMA-50-SM-19W-3K	3465Lm	3093Lm	19W	22W	3000K	>85	110°	250mA
AQUALUMA-50-SM-19W-4K	3710Lm	3180Lm	19W	22W	4000K	>85	110°	250mA
AQUALUMA-50-SM-19W-5K	3710Lm	3180Lm	19W	22W	5000K	>85	110°	250mA
AQUALUMA-50-SM-28W-3K	4760Lm	3808Lm	28W	32W	3000K	>85	110°	350mA
AQUALUMA-50-SM-28W-4K	5110Lm	4088Lm	28W	32W	4000K	>85	110°	350mA
AQUALUMA-50-SM-28W-5K	5110Lm	4088Lm	28W	32W	5000K	>85	110°	350mA

For Non-dimming add suffix ND  
For DALI-2 dimming add suffix D  
For BLUETOOTH dimming add suffix BT

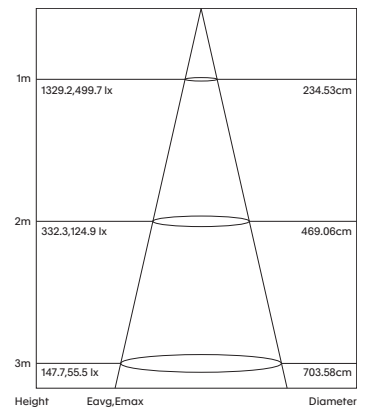
Example product order code configuration: AQUALUMA-50-SM-28W-4K-ND-(WH/OP)

Model	Wattage	CCT	Driver	Luminaire Finish / Diffuser
AQUALUMA-50-SM	28W	4K	ND	WH/OP

#### Light Distribution



#### Cone Diagram



- 1 Luminaire efficacy based on CCT 4000K; CCT variation will alter efficacy
- 2 +/- 10% stated initial LED and luminous flux tolerance
- 3 Colour Rendering Index; >85 Standard (Nichia SMD LED series)
- 4 Charges apply for non-standard colour/s, cuts, accessories and dimming options
- 5 Five year manufacturer's warranty covering product defects and performance deficiencies