

## Pronto-BL100

### 23W Surface Mount Bollard

WATTAGE 23W
Symmetric 
IK 08 
IP 65 



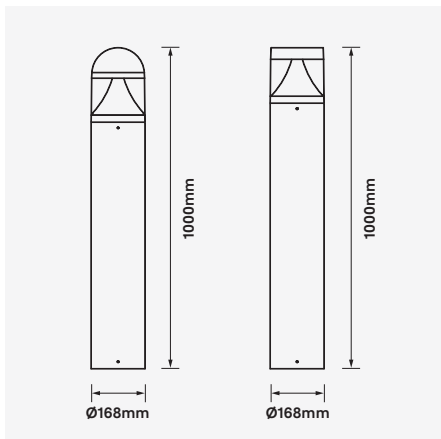
WARRANTY 3YR

4-Step
CRI (Ra) >80
Surface 



Luminaire Finishes

Black (BK)
  Silver (SV)



Surface mounted LED architectural bollard series providing optimal distribution and efficient performance. Sturdy construction with an IP65 (ingress protection) and IK08 (impact) rating makes the Pronto a perfect solution for carparks, schools, hospitals, commercial properties etc.

Featuring an indirect light source for low glare, symmetrical illumination and protected with a polycarbonate lens, it is manufactured from extruded 6063T extruded aluminium that has been polyester powder coated for exceptional durability and high corrosion resistance.

Custom colours are available on request from Dulux and Akzo Nobel. Integrating Samsung SMD technology and quality LED driver, the Pronto comes with a 3 year warranty.

- Luminaire wattage: 23W (System 25W)
- Luminous flux: 1445-1700Lm<sup>2</sup>
- Luminaire efficacy: 68Lm/W<sup>1</sup>
- Correlated colour temperature: 3000K, 4000K, 5000K
- Colour rendering index: >80<sup>3</sup>
- Mac-Adams Ellipse: 4-SDCM
- LED brand: Samsung SMD LED
- Symmetrical distribution: 132°
- Outer trim Ø168mm x Height 1000mm
- Ingress protection rating: IP65
- Impact protection: IK08
- Luminaire finish: Black, Silver, White
- Longevity: >50,000hrs L80 B10
- Driver: Non-dimmable LED driver as standard
- Dimming: DALI-2 dimming on request<sup>4</sup>
- Weight: 6.5kg (inc. integral driver)
- Warranty: 3 years<sup>5</sup>

Model	LED Output <sup>2</sup>	Luminous Flux <sup>2</sup>	LED Wattage	System Wattage	CCT	CRI <sup>3</sup>	Distribution
Pronto-BL100-X-23W-3K	2125Lm	1445Lm	23W	25W	3000K	>80	132°
Pronto-BL100-X-23W-4K	2500Lm	1700Lm	23W	25W	4000K	>80	132°
Pronto-BL100-X-23W-5K	2460Lm	1673Lm	23W	25W	5000K	>80	132°

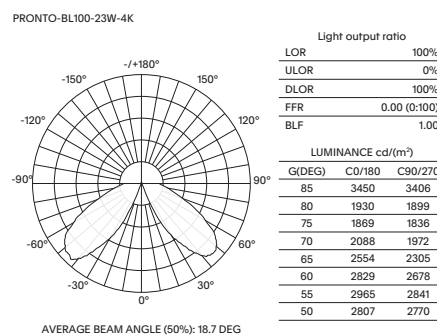
For Non-dimming add suffix ND  
For DALI-2 dimming add suffix D

Replace X with D for Dome Top  
Replace X with F for Flat Top

Example product order code configuration: Pronto-BL100-F-23W-3K-ND-(BK)

Model	Top	Wattage	CCT	Driver	Luminaire finish					
PRONTO-BL100	+	F	+	23W	+	3K	+	ND	+	BK

#### Intensity Distribution Diagram



1 Luminaire efficacy based on CCT 4000K; CCT variation will alter efficacy  
 2 +/- 10% stated initial LED and luminous flux tolerance  
 3 Colour Rendering Index; >80 Standard (Samsung SMD series)  
 4 Charges apply for non-standard colour/s and dimming options  
 5 Three year manufacturer's warranty covering product defects and performance deficiencies