

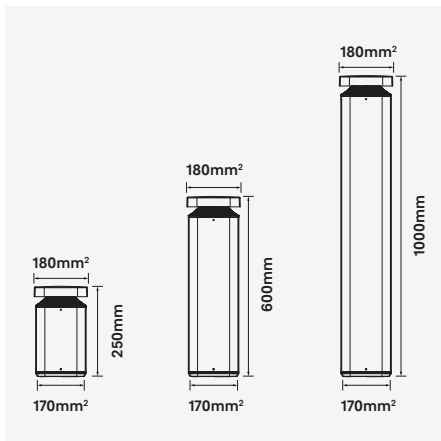
Quadrant-BL

12W / 24W Square Landscape Bollard



Luminaire Finishes

Black (BK) Silver (SV)



WATTAGE 12W / 24W
Ø 180
360°
IK 08
IP 65
WARRANTY 5YR

3-Step
CRI (Ra) >80
Low Glare
Surface

Surface mounted LED architectural landscape luminaire series characterised by its optimal low glare illumination and superior distribution. Sturdy four sided construction, IP65 ingress protection rating with an IK08 impact rating makes the Quadrant the perfect choice for carparks, schools, hospitals and commercial spaces. Three sizes and two wattages cater for all possible applications. Featuring an indirect light source, symmetrical low-glare distribution for high visual comfort. Extruded 6063AL aluminium, polyester powder coated for exceptional durability and superior corrosion resistance. Quadrant offers a 5 year warranty.

- Luminaire wattage: 12W, 24W (System)
- Luminous flux: 505Lm, 1162Lm²
- Luminaire efficacy: 42.08Lm/W, 48.41Lm/W¹
- Correlated colour temperature: 3000K, 4000K
- Colour rendering index: >80³
- Mac-Adams Ellipse: 3-SDCM
- Direct light output ratio (LOR): 100%
- Upward light output ratio (ULOR): 0.0%
- Symmetrical distribution: 360°
- Outer 180x180mm x Height 250mm, 600mm, 1000mm
- Ingress protection rating: IP65
- Impact protection rating: IK08
- Luminaire finishes: Black, Silver
- Longevity: L70 B50 >50,000
- Driver: Non-dimmable as standard
- Dimming: DALI-2 on request⁴
- Weight: 2.55kgs (250mm), 4.05kgs (600mm), 5.75kgs (1000mm)
- Warranty: 5 years⁵

| Model | LED Output ² | Luminous flux ² | System Wattage | CCT | CRI ³ | Distribution |
|---------------------|-------------------------|----------------------------|----------------|-------|------------------|--------------|
| QUADRANT-BLX-12W-3K | 645Lm | 495Lm | 12W | 3000K | >80 | 360° |
| QUADRANT-BLX-12W-4K | 660Lm | 505Lm | 12W | 4000K | >80 | 360° |
| QUADRANT-BLX-24W-3K | 1480Lm | 1140Lm | 24W | 3000K | >80 | 360° |
| QUADRANT-BLX-24W-4K | 1510Lm | 1165Lm | 24W | 4000K | >80 | 360° |

For Non-dimming add suffix ND
For DALI-2 dimming add suffix D

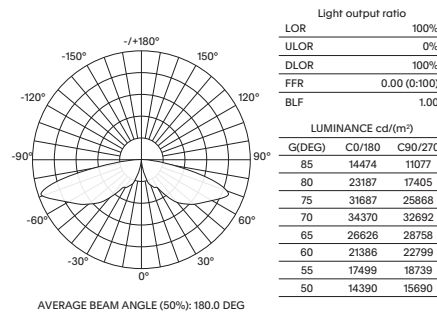
Replace X
For 250mm length add 025
For 600mm length add 060
For 1000mm length add 100

Example product order code configuration: QUADRANT-BL100-24W-4K-360-ND-(BK)

| Model | Wattage | CCT | Distribution | Driver | Luminaire finish |
|----------------|---------|-----|--------------|--------|------------------|
| QUADRANT-BL100 | 24W | 4K | 360 | ND | BK |

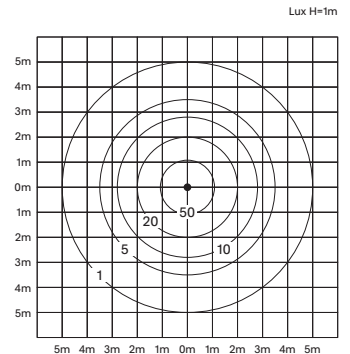
Light Distribution

QUADRANT-BL100-24W-4K



| Room Reflectance | | Utilisation Factors | | | | | | | | | |
|------------------|---------------|---------------------|------|------|------|------|------|------|------|------|--|
| Ceiling | Walls / Floor | Room Index | | | | | | | | | |
| 70 | 50 20 | 0.80 | 1.00 | 1.25 | 1.50 | 2.00 | 2.50 | 3.00 | 4.00 | 5.00 | |
| | | 35 | 43 | 51 | 58 | 68 | 76 | 82 | 89 | 94 | |

Cone Diagram



1 Luminaire efficacy based on CCT 4000K; CCT variation will alter efficacy
 2 +/- 10% stated initial LED and luminous flux tolerance
 3 Colour Rendering Index: >80 standard; Samsung SMD LED
 4 Minimum order quantities apply for non-standard items, dimming options and custom finishes will incur additional charges
 5 Five year manufacturer's warranty covering products defects and performance deficiencies