

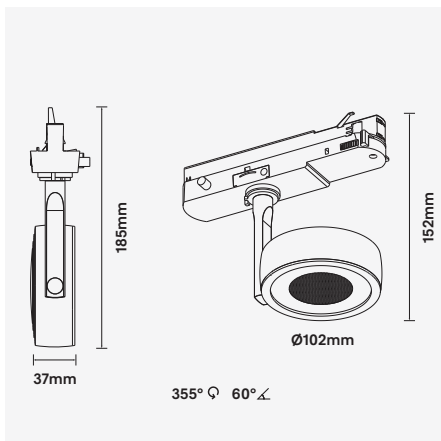
Orb-TR100

18W Single Round LED Track Luminaire



Luminaire Finishes

Black (BK) White (WH) Gold (GD)



WATTAGE 18W
VOLTAGE 240VAC
3-Step
Bluetooth
CE
WARRANTY 5YR

15° / 23° / 36° / 60°
355°
60°
CRI (Ra) >90
IP 20
Track

LED track mounted architectural luminaire series providing symmetrical, versatile, low-glare light distribution. Simplistic design driven by high quality componentry and a European design, the Orb offers high performance in a compact fitting. Available in a range of correlated colour temperatures to suit a range of applications including residential, retail, office and commercial fit-outs.

Orb offers a range of dimming options from DALI-2 through to the latest in Bluetooth wireless technology. Features a die-cast aluminium construction for optimal thermal dissipation and precision formed optics with a range of distributions. Integrating Zhaga compliant Bridgelux LED technology with industry leading driver technology, the Orb-TR100 comes with a 5 year warranty.

- Luminaire wattage: 18W (System 20W)
- Luminous flux: 1345-1520Lm²
- Luminaire efficacy: 70Lm/W¹
- Correlated colour temperature: 2700K, 3000K, 4000K
- Colour rendering index: >90³
- 3-Step-MacAdams Ellipse
- LED Brand: Bridgelux COB LED
- Optical distribution: 15°, 23°, 36°, 60°
- Ø102mm Trim x 37mm Width x 185mm Length
- Luminaire finishes: Black, White, Gold
- Ingress protection rating: IP20
- Longevity: >50,000Hrs L80 B10
- Requires 3-Circuit track system⁴
- 3-Circuit Track adaptor as standard
- Dimming: DALI-2, BLE (Casambi) on request⁴
- Weight: 390g (excluding driver)
- Warranty: 5 year⁵

Model	LED Output ²	Luminous Flux ²	System Wattage	CCT	CRI ³	Distribution
ORB-TR100-18W-27K	1750Lm	1345Lm	18W	2700K	>90	15°, 23°, 36°, 60°
ORB-TR100-18W-3K	2060Lm	1400Lm	18W	3000K	>90	15°, 23°, 36°, 60°
ORB-TR100-18W-4K	2160Lm	1520Lm	18W	4000K	>90	15°, 23°, 36°, 60°

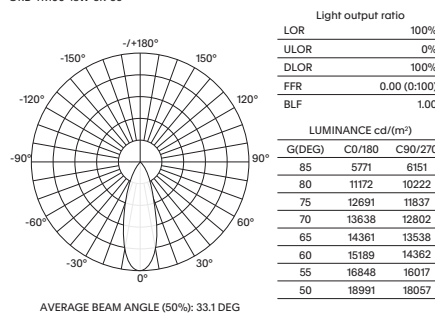
For Non-dimming add suffix ND
For DALI-2 dimming add suffix D
For BLUETOOTH dimming add suffix BT

Example product order code configuration: ORB-TR100-18W-3K-23-ND-(BK)

Model	Wattage	CCT	Distribution	Driver	Luminaire Finishes
ORB-TR100	18W	3K	23	ND	BK

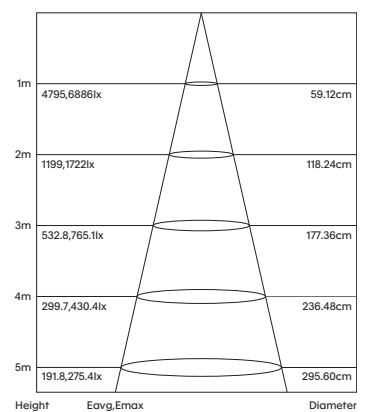
Light Distribution

ORB-TR100-18W-3K-36



Room Reflectance	Utilisation Factors										
	Room Index										
Ceiling Walls Floor	0.80	1.00	1.25	1.50	2.00	2.50	3.00	4.00	5.00		
70 50 20	88	92	97	100	103	105	106	109	111		

Cone Diagram



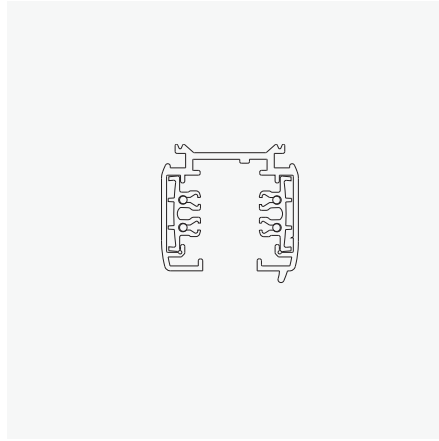
1 Luminaire efficacy based on CCT 3000K; CCT variation will alter efficacy
2 +/- 10% stated initial LED and luminous flux tolerance
3 Colour Rendering Index: >90 Standard (Bridgelux COB Series)
4 Charges apply for non-standard colour/s, 3-circuit track and dimming options
5 Five year manufacturer's warranty covering product defects and performance deficiencies

Orb-TR100

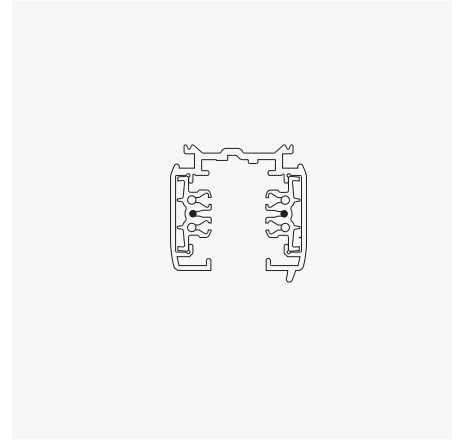
18W Single Round LED Track Luminaire

240VAC TRACK-SYSTEM track options

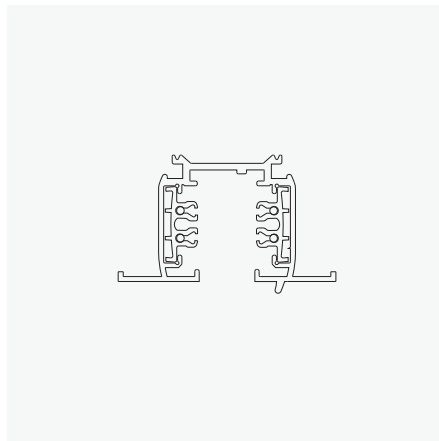
3-Circuit Surface Track
Product No: PRO-TRK-SM-3C
Colour: Black, White, Silver
Size: W35.2 x H35.5mm



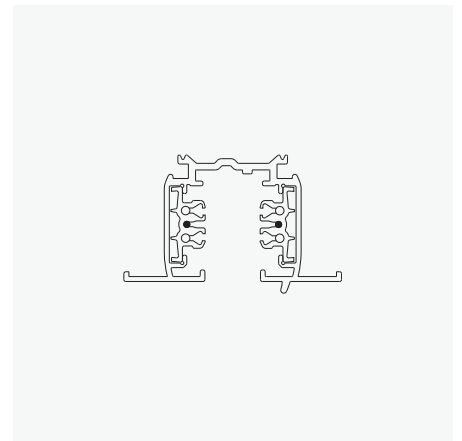
3-Circuit Surface DALI Track
Product No: PRO-TRK-SM-3C-D
Colour: Black, White, Silver
Size: W35.2 x H35.5mm



3-Circuit Recessed Track
Product No: PRO-TRK-REC-3C
Colour: Black, White, Silver
Size: W56 x H35.5mm



3-Circuit Recessed DALI Track
Product No: PRO-TRK-REC-3C-D
Colour: Black, White, Silver
Size: W56 x H35.5mm



- 1 Luminaire efficacy based on CCT 3000K; CCT variation will alter efficacy
- 2 +/- 10% stated initial LED and luminous flux tolerance
- 3 Colour Rendering Index: >90 Standard (Bridgelux COB Series)
- 4 Charges apply for non-standard colour/s, 3-circuit track and dimming options
- 5 Five year manufacturer's warranty covering product defects and performance deficiencies