

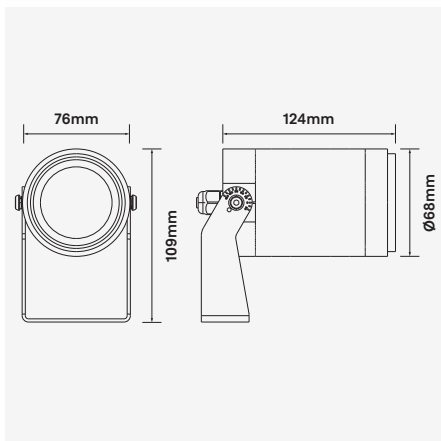
## Solaris-SP68

### 9W Adjustable Landscape Luminaire



Luminaire Finishes

■ Iron Grey (GR) ■ Black (BK)



#### Accessories

**SPIKE-PC**  
Landscape Polycarbonate spike  
Ø38mm x Length 160mm  
Black surface finish



**SOLARIS-SP68-AG-GR**  
Solaris anti-glare hood  
Ø67mm x Length 50mm  
Iron grey surface finish



**SOLARIS-SP68-AG-BK**  
Solaris anti-glare hood  
Ø67mm x Length 50mm  
Black surface finish



WATTAGE 9W	3-Step	CRI (Ra) >90	20° / 30° / 50°	IP 67	CE	WARRANTY 5YR
VOLTAGE 24VDC	Surface					

Solaris forms part of the architectural landscape series providing symmetrical illumination in any residential, commercial or public spaces. High class design makes for a minimalist appearance, perfect to blend into its environment.

Quality construction with high precision machining ensures a perfect mechanical fit. Integral thermal management system for extended life. Triple layered coating for high corrosion resistance. Extra low voltage ensures no risk of electrical shock. Intergrating class leading Citizen LED technology with high colour rendering enhancing colours within the area. Solaris-SP series offers a 5 year warranty.

- Luminaire wattage: 9W (System 10W)
- Luminous flux: 838-1022Lm<sup>2</sup>
- Luminaire efficacy: 83.8Lm/W<sup>1</sup>
- Correlated colour temperature: 3000K, 4000K
- Colour rendering index: >90
- Mac-Adams Ellipse: 3-SDCM
- LED brand: Citizen COB LED
- Symmetrical distribution: 20°, 30°, 50°
- Outer trim Ø68mm x Length 124mm x Height 109mm
- Ingress protection rating: IP67
- Luminaire finishes: Iron Grey, Black
- Longevity: >50,000Hrs L80 B10
- Working voltage: 24VDC
- Driver: Requires Remote 24VDC LED driver
- Weight: 1.0Kg (excluding driver)
- Warranty: 5 years<sup>4</sup>

Model	LED Output <sup>2</sup>	Luminous Flux <sup>2</sup>	LED Wattage	System Wattage	CCT	CRI <sup>3</sup>	Distribution
SOLARIS-SP68-3K-9W-20	1130Lm	841Lm	9W	10W	3000K	>90	20°
SOLARIS-SP68-3K-9W-30	1130Lm	838Lm	9W	10W	3000K	>90	30°
SOLARIS-SP68-3K-9W-50	1130Lm	942Lm	9W	10W	3000K	>90	50°
SOLARIS-SP68-4K-9W-20	1250Lm	897Lm	9W	10W	4000K	>90	20°
SOLARIS-SP68-4K-9W-30	1250Lm	868Lm	9W	10W	4000K	>90	30°
SOLARIS-SP68-4K-9W-50	1250Lm	1022Lm	9W	10W	4000K	>90	50°

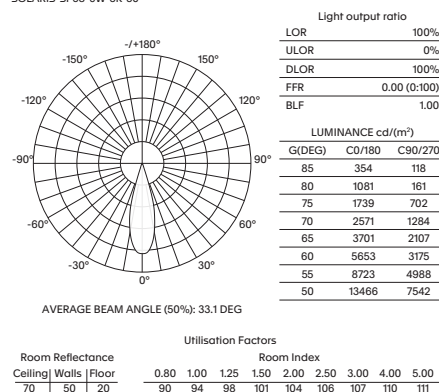
For Non-dimming add suffix ND

Example product order code configuration: SOLARIS-SP68-9W-3K-30-ND-(GR)

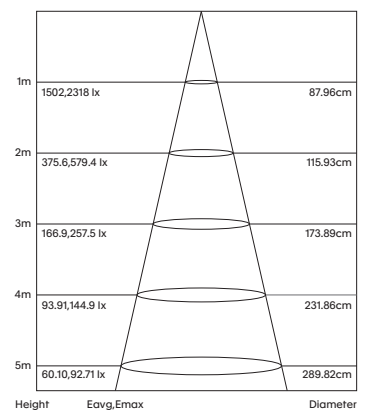
Model	Wattage	CCT	Distribution	Driver	Luminaire Finish
SOLARIS-SP68	9W	3K	30	ND	GR

#### Light Distribution

SOLARIS-SP68-9W-3K-30



#### Cone Diagram



1 Luminaire efficacy based on CCT 3000K; CCT variation will alter efficacy  
 2 +/- 10% stated initial LED and luminous flux tolerance  
 3 Colour Rendering Index: >90 Standard (Citizen COB Series)  
 4 Five year manufacturer's warranty covering product defects and performance deficiencies