

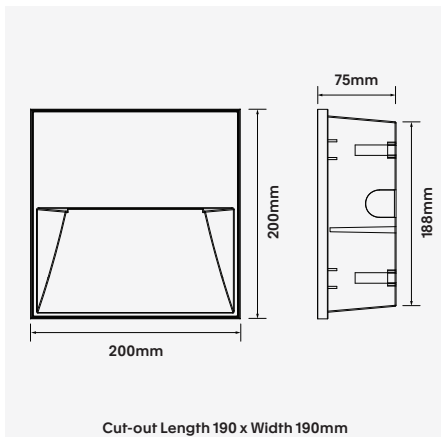
Rasta-WL-REC

5W / 7W / 8.5W / 10.5W / 13W / 18W Asymmetrical Recessed Wall Luminaire



Luminaire Finishes

Black (BK) Dark Grey (DG)



WATTAGE 5W / 7W / 8.5W / 10.5W / 13W / 18W CRI (Ra) >80 WARRANTY 5YR

3-Step 190 x 190 IK 09 IP 66 VOLTAGE 240VAC VOLTAGE 24VDC Asymmetrical

Low Glare Wall Recessed

Rasta is a part of CoLab's step and pathway luminaires, providing low glare and optimal illumination across a variety of landscape, step and pathway applications. Using a minimal design and an IP66 rating and a IK09 impact rating. Composed from aluminium components, a PC lens and an engineered plastic housing for excellent weather resistance.

Rasta provides both 24VDC and 240VAC to suit a varied range of installation types. Optional DALI dimming. Rasta-WL series comes with a 5 year warranty.

- Luminaire wattage: 5W, 7W, 8.5W, 10.5W, 13W, 18W (System 6W, 10W, 12W, 15W, 20W)
- Luminous flux: 330Lm, 432Lm, 523Lm, 623Lm, 752Lm, 1000Lm²
- Luminaire efficacy: 55Lm/W, 43.2Lm/W, 44.33Lm/W, 41.53Lm/W, 50Lm/W¹
- Correlated colour temperature: 3000K, 4000K
- Colour rendering index: >80³
- Mac-Adams Ellipse: 3-SDCM
- LED brand: Samsung SMD
- Direct light output ratio (LOR): 100%
- Upward light output ratio (ULOR): 0.0%
- Asymmetrical distribution
- Trim Length 200mm x Width 200mm x Depth 75mm; cut-out Length 190mm x Width 190mm
- Ingress protection rating: IP66
- Impact protection rating: IK09
- Luminaire finishes: Black (RAL9005), Dark Grey (RAL7024)
- Longevity: >50,000Hrs L80 B10
- Driver: 240VAC (Non-dimmable), 24VDC (Non-dimmable) requires remote LED driver
- Dimming: DALI; Requires 24VDC DALI dimmable driver
- Weight: 1.28Kgs (excluding driver)
- Warranty: 5 years⁵

Model	LED Output ²	Luminous Flux ²	Wattage	System Wattage	CCT	CRI ³	Distribution
RASTA-WL-REC-5W-3K	828Lm	330Lm	5W	6W	3000K	>80	Asymmetrical
RASTA-WL-REC-5W-4K	920Lm	363Lm	5W	6W	4000K	>80	Asymmetrical
RASTA-WL-REC-7W-3K	1053Lm	432Lm	7W	8W	3000K	>80	Asymmetrical
RASTA-WL-REC-7W-4K	1170Lm	475Lm	7W	8W	4000K	>80	Asymmetrical
RASTA-WL-REC-8.5W-3K	1260Lm	523Lm	8.5W	10W	3000K	>80	Asymmetrical
RASTA-WL-REC-8.5W-4K	1400Lm	575Lm	8.5W	10W	4000K	>80	Asymmetrical
RASTA-WL-REC-10.5W-3K	1512Lm	623Lm	10.5W	12W	3000K	>80	Asymmetrical
RASTA-WL-REC-10.5W-4K	1680Lm	685Lm	10.5W	12W	4000K	>80	Asymmetrical
RASTA-WL-REC-13W-3K	2070Lm	752Lm	13W	15W	3000K	>80	Asymmetrical
RASTA-WL-REC-13W-4K	2300Lm	827Lm	13W	15W	4000K	>80	Asymmetrical
RASTA-WL-REC-18W-3K	2736Lm	1000Lm	18W	20W	3000K	>80	Asymmetrical
RASTA-WL-REC-18W-4K	3040Lm	1100Lm	18W	20W	4000K	>80	Asymmetrical

For Low-Voltage add suffix 24V
For Non-Dimming add suffix ND
For DALI-2 dimming add suffix D

1 Luminaire efficacy based on CCT 3000K; CCT variations will alter efficacy
2 +/- 5% stated initial LED and luminous flux tolerance
3 Colour Rendering Index: >80 Standard (Samsung SMD Series)
4 Additional charges apply for non-standard colour/s, dimming controls and 24VDC LED drivers
5 Five year manufacturer's warranty covering product defects and performance deficiencies

Rasta-WL-REC

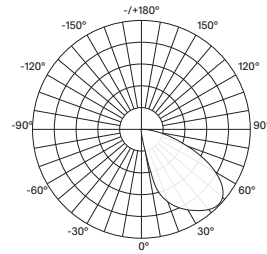
5W / 7W / 8.5W / 10.5W / 13W / 18W Asymmetrical Recessed Wall Luminaire

Example product order code configuration: RASTA-WL-REC-15W-3K-ASY-ND-(DG/240V)

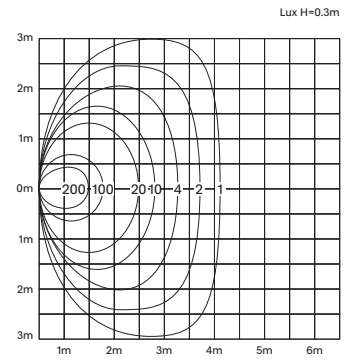
Model	Wattage	CCT	Distribution	Driver	Luminaire Finish / Voltage
RASTA-WL-REC	15W	3K	ASY	ND	DG/240V

Light Distribution

RASTA-WL-REC-15W-3K-ASY



Cone Diagram



- 1 Luminaire efficacy based on CCT 3000K; CCT variations will alter efficacy
- 2 +/- 5% stated initial LED and luminous flux tolerance
- 3 Colour Rendering Index: >80 Standard (Samsung SMD Series)
- 4 Additional charges apply for non-standard colour/s, dimming controls and 24VDC LED drivers
- 5 Five year manufacturer's warranty covering product defects and performance deficiencies