

## Nano-Track-SM

### 48VDC Nano-Track Surface Mounted System

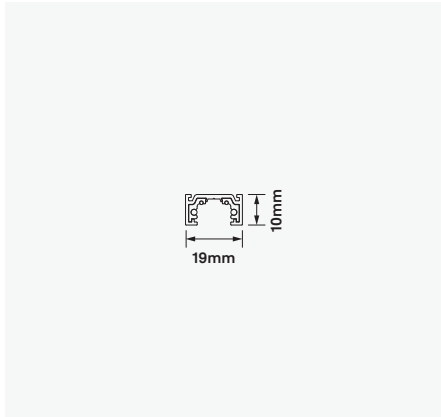


Track Finishes

- Black (BK)
  White (WH)

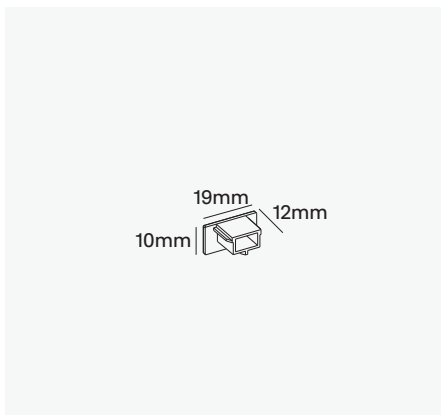
#### Surface Mounted Track

Product No: NTR-SM19  
 Colour: Black, White  
 Size: W19mm x H10mm x L3000mm (max.)  
 Weight: 275g/m



#### End caps

Product No: NTR-SM19-EC  
 Colour: Black, White  
 Size: W19mm x H10mm x D12mm  
 Weight: 11g



VOLTAGE 48VDC

Track

IP 20

Surface

CE

WARRANTY 5YR

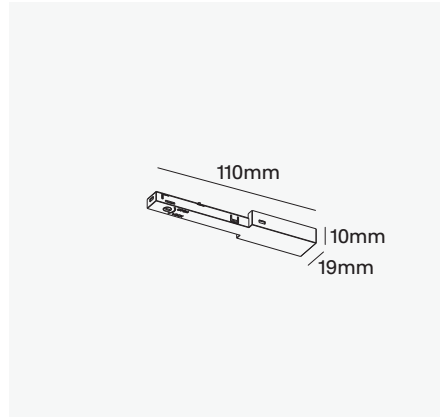
The 48VDC low voltage track system is synonymous with electrical safety, permitting greater flexibility and ease of use including installation. The Nano-Track, with its minimal foot print makes it a perfect solution where light is required and space is limited. The luminaire can be installed and moved to any position without the need for turning off the power to the track. This is due to its low voltage input of 48VDC. No tools are required, the luminaires simply snap-lock into position, remaining in place until you want to remove or re-position the luminaire.

The elegant and minimalist design permits a range of micro luminaires ranging from spots and linear sources. The system is designed to suit applications from residential through to retail and commercial. The 48VDC Track system is covered by a 5 year warranty.

- Mounting: Surface
- Construction: Extruded 6063T grade aluminium mounting profile
- Finish options: Black, White
- Accessories: End caps, joiners and corners configuration Dependant
- Length (max.) 3000mm x Width 19mm x Height 10mm
- Ingress Protection Rating: IP20
- Specifically designed for 48VDC Nano spots and linear luminaires
- Compatible with on/off operation only
- Weight/m: 275g (excluding driver & accessories)
- Warranty: 5 year<sup>1</sup>

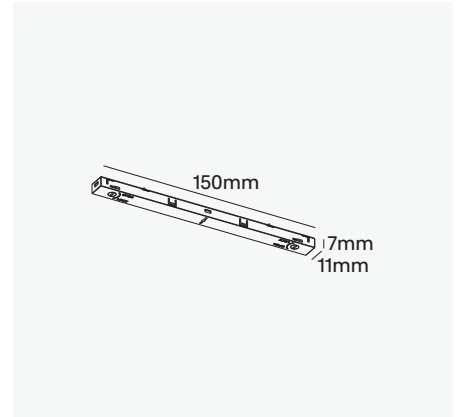
#### Power Feed Unit

Product No: NTR-19-PF  
 Colour: Black, White  
 Size: W19mm x H10mm x L110mm  
 Weight: 40g



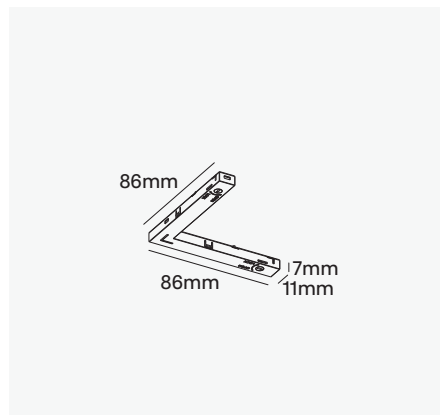
#### Straight-Connector

Product No: NTR-19-SC  
 Colour: Black, White  
 Size: W11mm x H7mm x L150mm  
 Weight: 50g



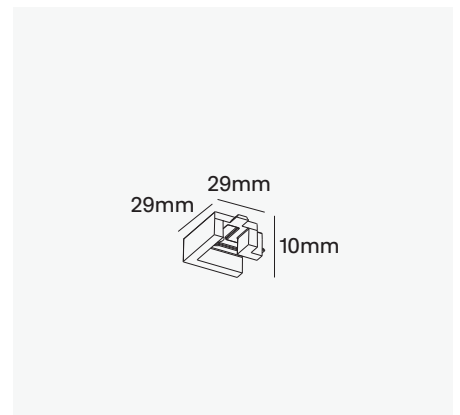
#### L-Connector

Product No: NTR-19-LC  
 Colour: Black, White  
 Size: W86mm x H7mm x L86mm  
 Weight: 50g



#### L-Joiner

Product No: NTR-19-LJ  
 Colour: Black, White  
 Size: W29mm x H10mm x L29mm  
 Weight: 10g

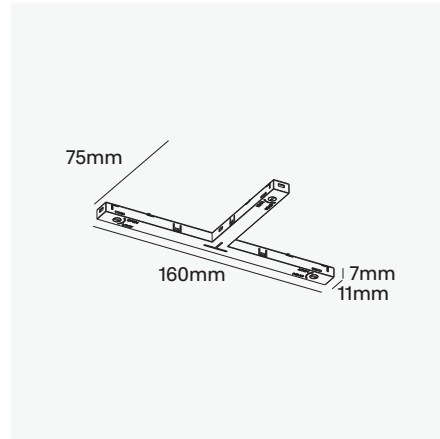


## Nano-Track-SM

### 48VDC Nano-Track Surface Mounted System

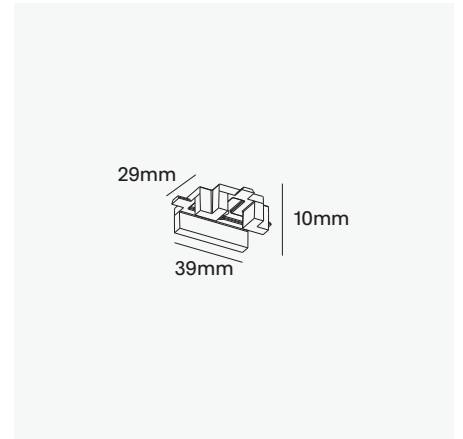
#### T-Connector

Product No: NTR-19-TC  
Colour: Black, White  
Size: W75mm x H7mm x L160mm  
Weight: 60g



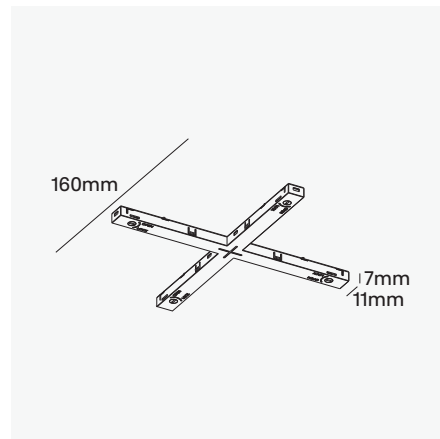
#### T-Joiner

Product No: NTR-19-TJ  
Colour: Black, White  
Size: W29mm x H10mm x L39mm  
Weight: 10g



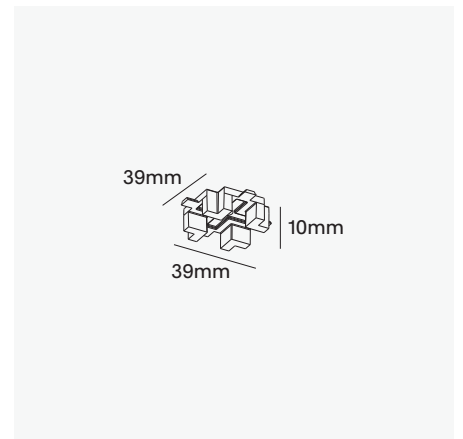
#### X-Connector

Product No: NTR-19-XC  
Colour: Black, White  
Size: W11mm x H7mm x L160mm  
Weight: 80g



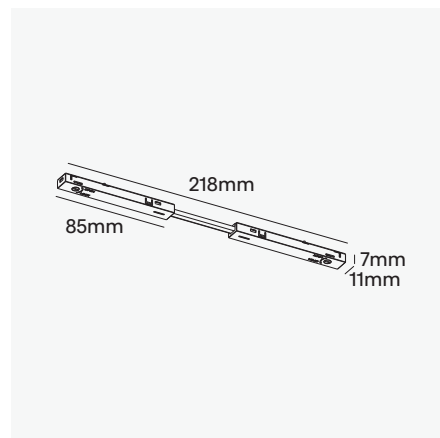
#### X-Joiner

Product No: NTR-19-XJ  
Colour: Black, White  
Size: W39mm x H10mm x L39mm  
Weight: 10g



#### Flexible-Connector

Product No: NTR-19-FC  
Colour: Black, White  
Size: W11mm x H7mm x L218mm  
Weight: 80g



#### Vertical-Joiner

Product No: NTR-19-VC  
Colour: Black, White  
Size: W15mm x L3000mm  
Weight: 10g

