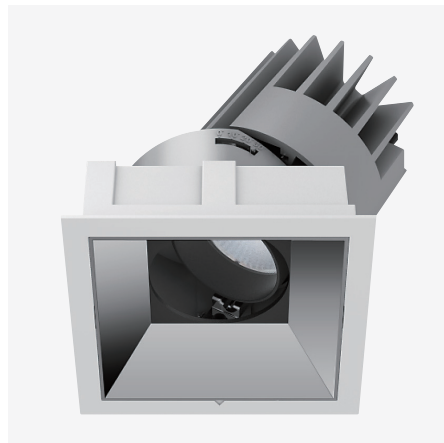


Recco-A150S

25W / 38W Adjustable LED Square Recessed Downlight

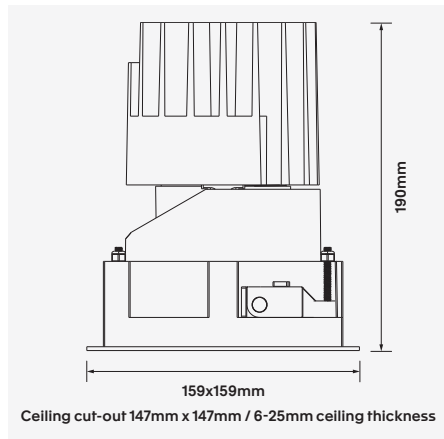


Luminaire Finishes

- White (WH)
- Black (BK)

Interchangeable Baffle Finishes

- White (WH)
- Black (BK)
- Matt (MT)
- Specular (SP)
- Black Chrome (BC)
- Gold (GD)



Accessories

RECCO-150S-HC
Honeycomb mesh



RECCO-150S-TR
Trimless



WATTAGE 25W / 38W	COI ON REQUEST	Bluetooth					WARRANTY 5YR
3-Step	147 x 147	20° / 35° / 50°	355°	30°	CRI (Ra) >90	IP 20	UGR <19

Adjustable recessed LED architectural luminaire series providing low-glare light distribution with a unique mechanism for uniform and precise angle adjustment and spring-load pushback for easy installation. Driven by high quality and versatile design, the Recco adjustable LED downlight series offers optimised and efficient performance with a vast range of cut-out and wattage/lumen packages. It is available in a range of colour temperatures, beam angles and secondary reflector finishes to suit a multitude of applications.

Recco offers various dimming options and an additional anti-glare honeycomb reflector accessory. The fitting is made from a die-cast aluminium housing with high purity aluminium primary reflector and high-grade polycarbonate secondary reflector. Integrating Zhaga compliant Citizen LED technology with Tridonic control gear, the Recco-A series offers a 5 year warranty.

- Luminaire wattage: 25W, 38W (System 28W, 42W)
- Luminous flux: 1800-1900Lm, 2500-2700Lm²
- Luminaire efficacy: 72Lm/W, 65.78Lm/W¹
- Correlated colour temperature: 3000K, 4000K
- Colour rendering index: >90 standard; >97/COI on request³
- Mac-Adams Ellipse: 3-SDCM
- LED brand: Citizen COB LED
- Glare control: UGR<19
- Symmetrical distribution: 20°, 35°, 50°
- Outer Trim L159mm x W159mm;
- Ceiling cut-out L147mm x W147mm
- Adjustability: ±30° Tilt, 355° Rotation
- Ingress protection rating: IP20
- Luminaire finishes: White, Black
- Baffle Options: White, Black, Matt, Specular, Black Chrome, Gold⁴
- Longevity: >50,000Hrs L80 B10
- Driver: Tridonic non-dimmable as standard
- Dimming: DALI-2, BLE (basicDIM Wireless / Casambi) on request⁴
- Weight: 1.45Kg (excluding driver)
- Warranty: 5 years⁵

Model	LED Output ²	Luminous Flux ²	LED Wattage	System Wattage	CCT	CRI ³	Distribution
RECCO-A150S-25W-3K	2700Lm	1800Lm	25W	28W	3000K	>90	20°, 35°, 50°
RECCO-A150S-25W-4K	2800Lm	1900Lm	25W	28W	4000K	>90	20°, 35°, 50°
RECCO-A150S-38W-3K	3700Lm	2500Lm	38W	42W	3000K	>90	20°, 35°, 50°
RECCO-A150S-38W-4K	3900Lm	2700Lm	38W	42W	4000K	>90	20°, 35°, 50°

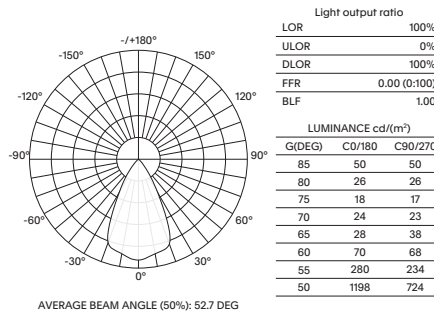
For Non dimming add suffix ND
For DALI-2 dimming add suffix D
For BLUETOOTH dimming add suffix BT

Example product order code configuration: RECCO-A150S-38W-3K-50-D-(WH/SP)

Model	Wattage	CCT	Distribution	Driver	Luminaire Finish / Baffle Finish					
RECCO-A150S	+	38W	+	3K	+	50	+	D	+	WH/SP

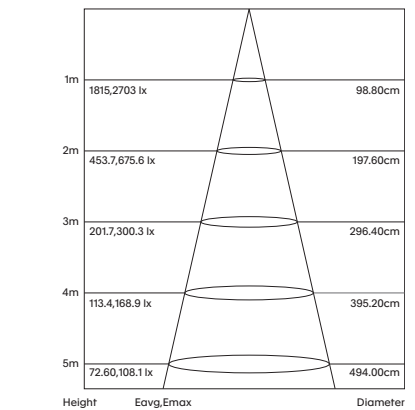
Light Distribution

RECCO-A150S-38W-3K-50



Room Reflectance		Utilisation Factors																
Ceiling	Walls	Floor	Room Index															
0.80	1.00	1.25	1.50	2.00	2.50	3.00	4.00	5.00	7.0	9.4	9.9	10.1	10.4	10.6	10.8	11.0	11.1	
70	50	20	90	94	99	101	104	106	108	110	111							

Cone Diagram



- 1 Luminaire efficacy based on CCT 3000K; CCT variation will alter efficacy
- 2 +/- 10% stated initial LED and luminous flux tolerance
- 3 Colour Rendering Index: >90 Standard (Citizen COB Series), >97/Cyanosis Observation Index (COI) compliance on request: Citizen LED series compliant to AS/NZS1680.2.5:2018; COI <3.3 and CCT 3300-5300K
- 4 Additional charges apply for non-standard colour/s and dimming options
- 5 Five year manufacturer's warranty covering product defects and performance deficiencies