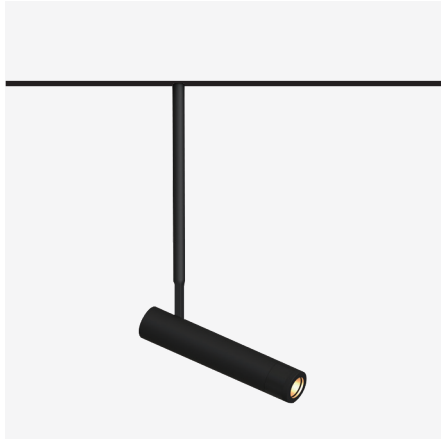


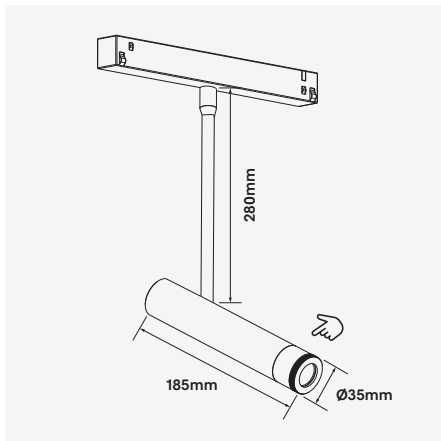
Pencil-D

7W Single Drop Round 48VDC LED Track Luminaire



Luminaire Finishes

Black (BK) White/Black (WH/BK)



Adjustable Optical Distribution



WATTAGE 7W **355° 90°** **3-Step** **Bluetooth** **CE** **WARRANTY 5YR**
VOLTAGE 48VDC **12°-36° Adjustable** **CRI (Ra) >90** **IP 20** **Track**

A 48VDC low voltage track system is synonymous with electrical safety, permitting greater flexibility and ease of use including installation. The luminaire can be installed and moved to any position without the need for turning off the power to the track. This is due to its low voltage input of 48VDC. No tools are required, the luminaires simply snap-lock into position, remaining in place until you want to remove or re-position the luminaire.

The elegant and minimalist design permits a range of micro luminaires ranging from spots, pendants and linear sources with many features. The system features simple on/off operation with additional dimming options to suit a number of protocols such as DALI or Bluetooth dimming. The system is designed to suit applications from residential through to retail and commercial. The Pencil-D is covered by a 5 year warranty.

- Luminaire wattage: 7W (System)
- Luminous flux: 200.21Lm²
- Luminaire efficacy: 29.91Lm/W¹
- Correlated colour temperature: 2700K, 3000K, 4000K
- Colour rendering index: >90³
- 3-Step-MacAdams Ellipse
- LED Brand: Citizen COB LED
- Optical distribution: 12°~36° Adjustable
- Ø35mm Trim x 185mm Length Head + 280mm Drop Rod
- Luminaire finishes: Black, White/Black
- Ingress protection rating: IP20
- Working voltage: 48VDC constant voltage
- Flicker free DC-DC internal driver
- Longevity: >50,000Hrs L90 B10
- Requires 48VDC remote driver and Track-System
- Dimming: DALI-2, BLE (Casambi) on request⁴
- Weight: 350g
- Warranty: 5 year⁵

Model	LED Output ²	Luminous Flux ²	System Wattage	CCT	CRI ³	Distribution
PENCIL-D-7W-3K	390Lm	200.21Lm	7W	3000K	>90	12°~36° Adjustable

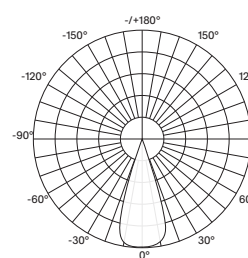
For Non-dimming add suffix ND
For DALI-2 dimming add suffix D
For BLUETOOTH dimming add suffix BT

Example product order code configuration: PENCIL-D-7W-3K-ADJ-ND-(BK)

Model	Wattage	CCT	Distribution	Driver	Luminaire Finish					
PENCIL-D	+	7W	+	3K	+	ADJ	+	ND	+	BK

Light Distribution

PENCIL-D-7W-3K-40

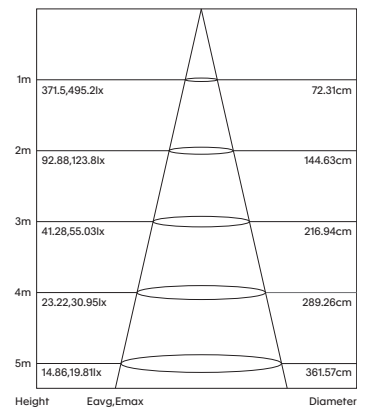


Light output ratio		
LOR		100%
ULOR		0%
DLOR		100%
FFR	0.00 (0:100)	
BLF		1.00

LUMINANCE cd/(m ²)		
G(DEG)	C0/180	C90/270
85	56	55
80	83	55
75	129	37
70	196	42
65	374	45
60	794	296
55	1667	907
50	3182	2256

Room Reflectance		Utilisation Factors									
Room Index		0.80	1.00	1.25	1.50	2.00	2.50	3.00	4.00	5.00	
Ceiling	70	92	96	99	102	105	106	108	110	112	
Walls	50										
Floor	20										

Cone Diagram



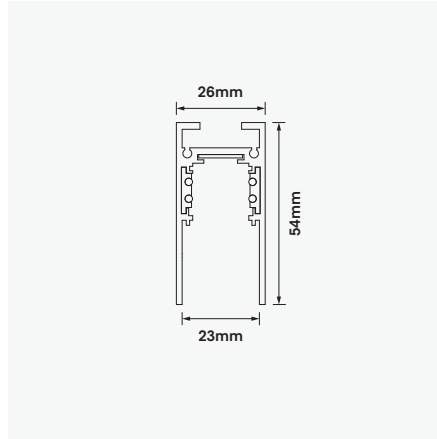
1 Luminaire efficacy based on CCT 3000K; CCT variation will alter efficacy
 2 +/- 10% stated initial LED and luminous flux tolerance
 3 Colour Rendering Index: >90 Standard (Citizen COB Series)
 4 Additional charges apply for non-standard colour/s and dimming options
 5 Five year manufacturer's warranty covering product defects and performance deficiencies

Pencil-D

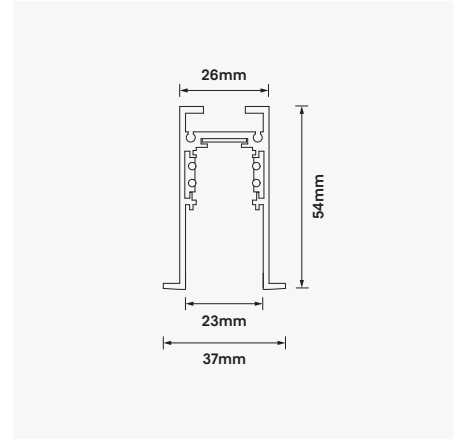
7W Single Drop Round 48VDC LED Track Luminaire

48VDC TRACK-SYSTEM track options

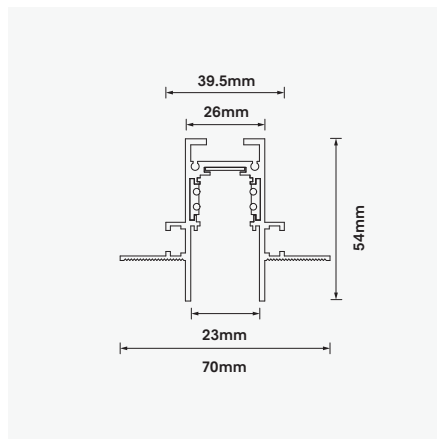
Surface / Suspended Track
Product No: TR-SM26
Colour: Black
Size: W26mm x H54mm



Recessed Track
Product No: TR-REC26
Colour: Black
Size: W37mm x H54mm



Recessed Trimless Track
Product No: TR-TL26
Colour: Black
Size: W70mm x H54mm



- 1 Luminaire efficacy based on CCT 3000K; CCT variation will alter efficacy
- 2 +/- 10% stated initial LED and luminous flux tolerance
- 3 Colour Rendering Index: >90 Standard (Citizen COB Series)
- 4 Additional charges apply for non-standard colour/s and dimming options
- 5 Five year manufacturer's warranty covering product defects and performance deficiencies