

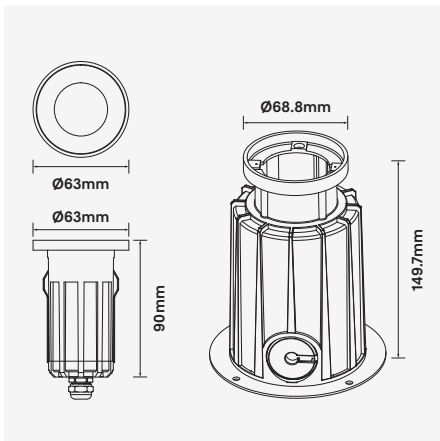
## Trix-F63

### 5W Recessed Trimless Landscape Luminaire

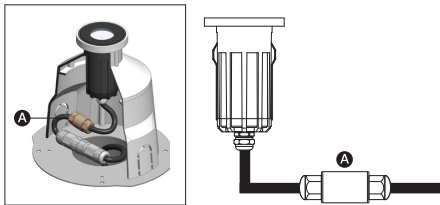


Luminaire Finish

Black (BK)



Water Stopper (Included)



The Trix recessed landscape luminaire will generate high internal temperatures whilst in use. This will generate a negative pressure once the luminaire is turned on, enabling water and vapours to be sucked into the fitting and causing irreparable damage. For this reason, a water stopper is fitted as standard across the entire Trix series.

WATTAGE 5W
3-Step
IP 67
IK 06
Bluetooth
CE
WARRANTY 5YR

VOLTAGE 24VDC
CRI (Ra) >80
18° / 24° / 32°
Recessed

Trix-F63 is part of the contemporary trimless series of landscape architectural recessed luminaires. With a jet black glass fascia that sets it apart from other inground lights, it is sleek and frameless. It's extra low-voltage, 24VDC power input makes it suitable for children's play areas, public spaces, shopping precincts, commercial environments and residential spaces.

Constructed from quality die-cast aluminium and a toughened glass fascia for extended durability, the Trix integrates class leading NICHIA COB LED technology as standard with a range of distribution options. With standard on/off control or DALI-2 and BLE dimming on request, the Trix-F63 comes with a 5 year warranty.

- Luminaire wattage: 5W (System 6.3W)
- Luminous flux: 490-553Lm<sup>2</sup>
- Luminaire efficacy: 77.77Lm/W<sup>1</sup>
- Correlated colour temperature: 3000K, 4000K
- Colour rendering index: >80<sup>3</sup>
- LED brand: NICHIA COB LED
- Symmetrical distribution: 18°, 24°, 32°
- Fitting Ø63mm x Height 90mm
- Ingress protection rating: IP67
- Impact protection: IK06
- Luminaire finish: Black Glass with Stainless Steel Trim
- Glass Pressure Capacity: Full area=2436Kgs
- Longevity: >50,000hrs L80 B10
- Nominal Working Voltage: 24VDC
- Driver: Requires Remote 24VDC non-dimmable LED driver
- Dimming: DALI-2 & BLE (basicDIM Wireless / Casambi) optional<sup>4</sup>
- Weight: 910g (excluding driver)
- Warranty: 5 years<sup>5</sup>

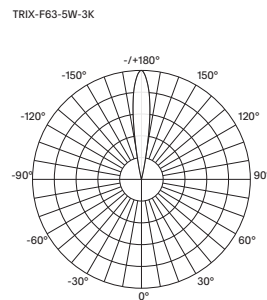
Model	Luminous Flux <sup>2</sup>	LED Wattage	System Wattage	CCT	CRI <sup>3</sup>	Distribution
TRIX-F63-5W-3K	490Lm	5W	6.3W	3000K	>80	18°, 24°, 32°
TRIX-F63-5W-4K	553Lm	5W	6.3W	4000K	>80	18°, 24°, 32°

For Non-dimming add suffix ND  
For DALI-2 dimming add suffix D  
For BLUETOOTH dimming add suffix BT

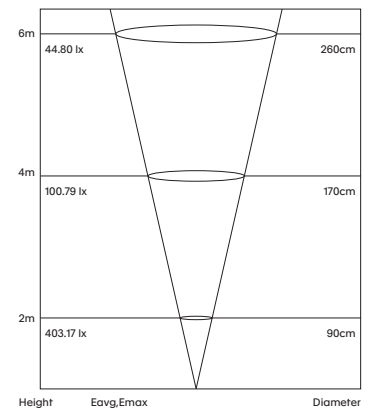
Example product order code configuration: TRIX-F63-5W-3K-24-ND-BK

Model	Wattage	CCT	Distribution	Driver	Luminaire Finish
TRIX-F63	5W	3K	24	ND	BK

#### Light Distribution



#### Cone Diagram



1 Luminaire efficacy based on CCT 3000K; CCT variations will alter efficacy  
2 +/- 10% stated initial LED and luminous flux tolerance  
3 Colour rendering Index: >80 standard (NICHIA COB Series)  
4 Charges apply for non-standard colour/s and dimming options  
5 Five year manufacturer's warranty covering product defects and performance deficiencies