

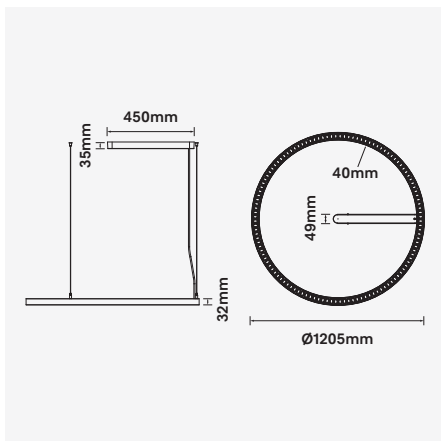
Hula-D120

105W Suspended Circular Direct I Indirect Luminaire



Luminaire Finishes

White (WH) Black (BK) Silver (SV)



WATTAGE 105W	UGR <6	CRI (Ra) >80	Bluetooth	CE	WARRANTY 5YR
VOLTAGE 240VAC	3-Step	IP 20	Suspended	DIRECT 60°	INDIRECT 115°

Introducing the Hula series tailored for those who demand the best in elegant simple design, impeccable craftsmanship, and superior surface finishes. Available in three sizes with adjustable suspending options and lengths – Ø650mm, Ø900mm, and Ø1200mm. The Hula with its direct 60° low-glare UGR<6 illumination and indirect illumination with a wide distribution, makes it ideal for enhancing the ambience of residential spaces, commercial establishments, and hotels.

The Hula series meets rigorous high efficiency standards by achieving approximately 145Lm/W, accompanied by flicker-free LED drivers and versatile dimming options such as DALI-2 and Casambi Bluetooth. Features ensure that the Hula not only meets but exceeds the expectations of interior designers, electrical engineers, and consultants alike. Moreover, the Hula series comes with a 5-year warranty, providing peace of mind for both professionals and end-users.

- Luminaire wattage: 105W (System 120W)
- Luminous flux: 17,400-19,140Lm²
- Luminaire efficacy: 145Lm/W¹
- Correlated colour temperature: 3000K, 4000K
- Colour rendering index: >80³
- Mac-Adams Ellipse: 3-SDCM
- LED type: Samsung SMD LED
- Glare control: UGR<6
- Symmetrical distribution: ↓60° ↑115°
- Outer trim Ø1205.5mm x Width 40mm x Height 32mm
- Mounting: Suspended; 1.5mtr adjustable
- Ingress protection rating: IP20
- Luminaire finishes: White, Black, Silver
- Longevity: >50,000Hrs L80 B10
- Driver: Non-dimmable as standard
- Dimming: DALI-2, BLE (basicDIM Wireless / Casambi) on request⁴
- Weight: Ø1200mm 5.8kg (exc. remote non-dimmable driver)
- Warranty: 5 years⁵

Model	Luminous Flux ²	LED Wattage	System Wattage	CCT	CRI ³	Distribution
HULA-D120-105W-3K	↓2700, ↑14700Lm	105W	120W	3000K	>80	↓60° ↑115°
HULA-D120-105W-4K	↓2970, ↑16170Lm	105W	120W	4000K	>80	↓60° ↑115°

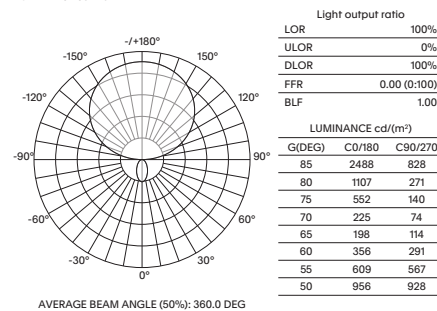
For Non-dimming add suffix ND
For DALI-2 dimming add suffix D
For BLUETOOTH dimming add suffix BT

Example product order code configuration: HULA-D120-105W-3K-60/115-ND-(WH)

Model	Wattage	CCT	Distribution	Driver	Luminaire Finish
HULA-D120	+ 105W	+ 3K	+ 60/115	+ ND	+ WH

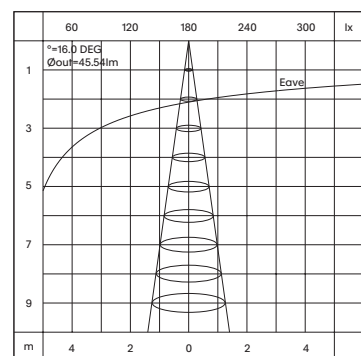
Light Distribution

HULA-D120-105W-3K



Room Reflectance	Utilisation Factors									
	Room Index									
Ceiling	0.80	1.00	1.25	1.50	2.00	2.50	3.00	4.00	5.00	
Walls	70	50	20	28	34	40	45	52	57	60
Floor										65
										68

Cone Diagram



1 Luminaire efficacy based on CCT 3000K; CCT variation will alter efficacy
2 +/- 5% stated initial LED and luminous flux tolerance
3 Colour Rendering Index: >80 (Samsung SMD Standard)
4 Additional charges apply for non-standard colour/s and dimming options
5 Five year manufacturer's warranty covering product defects and performance deficiencies