

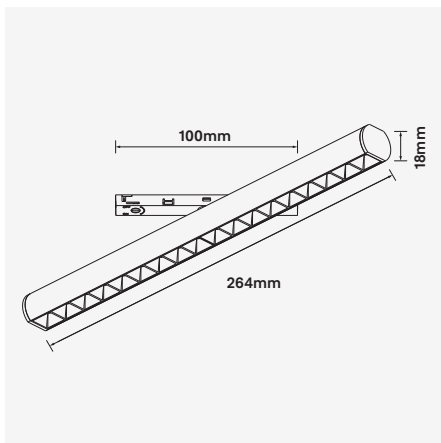
Sly-R

8.5W Linear 48VDC LED Nano-Track Luminaire



Luminaire Finishes

Black (BK) White (WH)



WATTAGE 8.5W	20° / 25° / 38° / 60°	VOLTAGE 48VDC	CRI (Ra) >90	CE	WARRANTY 5YR
3-Step	IP 20	Track	355°		

48VDC low voltage track lighting is synonymous with electrical safety, providing greater flexibility in design and ease of use including installation. The Nano-Track, with its minimal foot print makes it a perfect solution where light is required and space is limited. The luminaire can be installed and moved to any position without the need for turning off power to the track.

The luminaires snap-lock into position, remaining in place until you want to remove or re-position the luminaire. The simplistic and compact design makes this a versatile solution for a variety of spaces and applications. Available with a multitude of accessories to create a range of designs, the Sly-R comes with a 5 year warranty.

- Luminaire wattage: 8.5W (System)
- Luminous flux: 648Lm²
- Luminaire efficacy: 76.24Lm/W¹
- Correlated colour temperature: 2700K, 3000K, 4000K
- Colour rendering index: >90³
- 3-Step-MacAdams Ellipse
- LED Brand: Bridgelux SMD series
- Optical distribution: 20°, 25°, 38°, 60°
- Luminaire Width Ø18mm x Length 264mm
- Adjustability: 355° Rotation
- Luminaire finishes: Black, White
- Ingress protection rating: IP20
- Working voltage: 48VDC constant voltage
- Flicker free DC-DC internal driver
- Longevity: >50,000Hrs L80 B10
- Driver: Integral DC-DC Flicker-Free non-dimmable
- Requires: 48VDC constant voltage LED driver, Nano-Track system
- Weight: 135g (excluding driver)
- Warranty: 5 year⁴

Model	LED Output ²	Luminous Flux ²	System Wattage	CCT	CRI ³	Distribution
SLY-R-8.5W-3K	850Lm	648Lm	8.5W	3000K	>90	20°, 25°, 38°, 60°

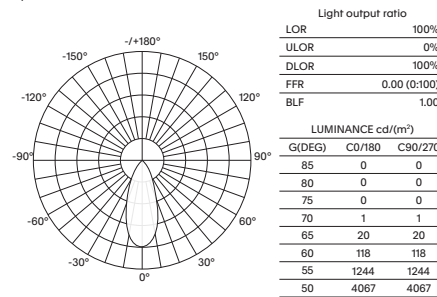
For Non-dimming add suffix ND

Example product order code configuration: SLY-R-8.5W-3K-38-ND-(BK)

Model	Wattage	CCT	Distribution	Driver	Luminaire Finish
SLY-R	8.5W	3K	38	ND	BK

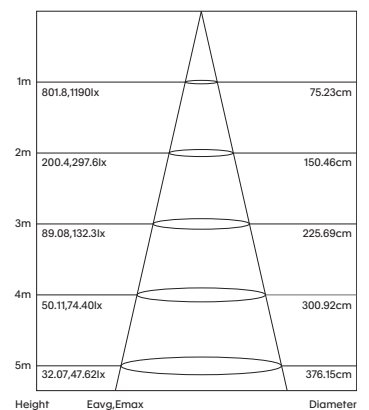
Light Distribution

Sly-R-8.5W-3K-38



Room Reflectance		Utilisation Factors										
Ceiling	Floor	Room Index										
0.80	1.00	1.25	1.50	2.00	2.50	3.00	4.00	5.00				
70	50	120	90	94	99	101	105	104	106	108	110	

Cone Diagram

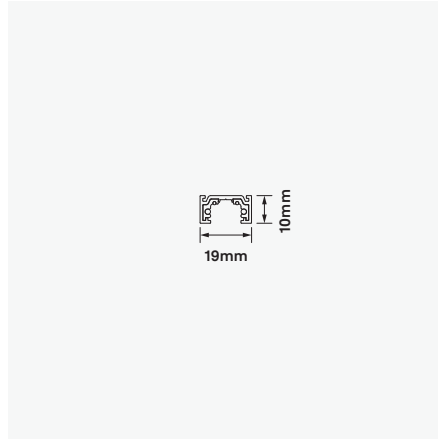


Sly-R

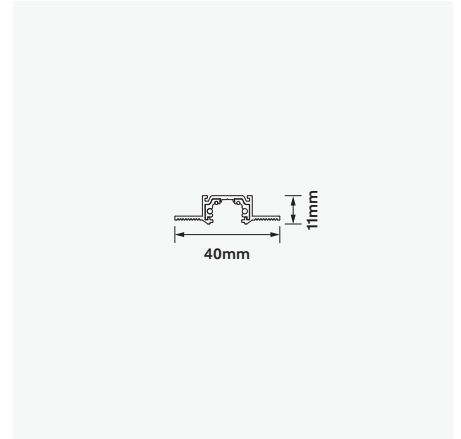
8.5W Linear 48VDC LED Nano-Track Luminaire

48VDC Nano-Track options

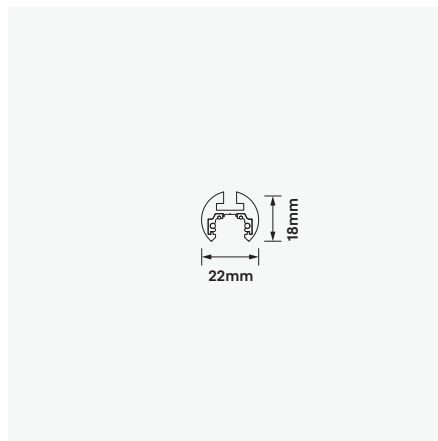
Surface Track
Product No: NTR-SM19
Colour: Black, White
Size: W19mm x H10mm



Trimless Track
Product No: NTR-TL19
Colour: Black, White
Size: W40mm x H11mm



Suspended Track
Product No: NTR-SUS22
Colour: Black, White
Size: W22mm x H18mm



- 1 Luminaire efficacy based on CCT 3000K; CCT variation will alter efficacy
- 2 +/- 10% stated initial LED and luminous flux tolerance
- 3 Colour Rendering Index: >90 Standard (Bridgelux SMD series)
- 4 Five year manufacturer's warranty covering product defects and performance deficiencies