

Meko-SM80

23W Fixed Surface / Suspended Mounted Downlight

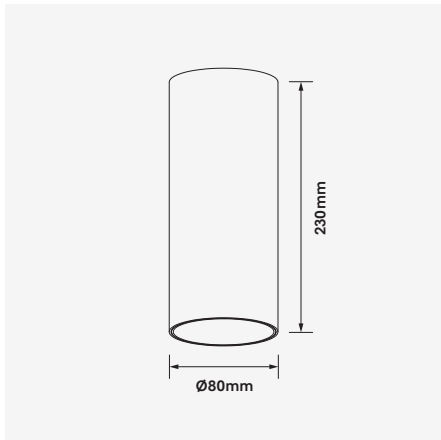


Luminaire Finishes

White (WH) Black (BK) Custom

Interchangeable Baffle Finishes

White (WH) Black (BK) Gold (GD)



Accessories

Wire Suspension Kit (WSUS)

Part No: SUSKIT-3M-SIL
Colour: Silver
Length: 3m Adjustable



Wire Suspension Kit (WSUS)

Part No: SUSKIT-3M-BLK
Colour: Black
Length: 3m Adjustable



Rod Suspension Kit (RSUS)

Part No: ROD-SUS-KIT-1M-WHT
Colour: White
Length: 1m Adjustable



Rod Suspension Kit (RSUS)

Part No: ROD-SUS-KIT-1M-BLK
Colour: Black
Length: 1m Adjustable



WATTAGE 23W
CRI (Ra) >90
UGR <19
Bluetooth
Z
CE
WARRANTY 5YR

3-Step
15° / 25° / 40°
IP 44
Surface
Suspended

Surface mounted LED architectural luminaire providing optimised and efficient performance. Features a deep-set light source, symmetrical distribution and IP44 rating. A small, discrete and minimal fitting that's big on performance, it comes surface mounted as standard with an optional wire or rod suspension to suit a range of applications. Features a die-cast aluminium baffle with an aluminium outer body.

Available in a standard matt white or black body with a white, black or gold finished baffle. Custom colours are also available on request. Integrating CREE COB LED technology, a non-dimmable driver as standard with optional DALI-2 or BLE (Bluetooth) dimming, the Meko series comes with a 5 year warranty.

- Luminaire wattage: 23W (System wattage 25W)
- Luminous flux: 2228-2616Lm²
- Luminaire efficacy: 90.26Lm/W¹
- Correlated colour temperature: 3000K, 4000K
- Colour rendering index: >90³
- Mac-Adams Ellipse: 3-SDCM
- LED type: Cree COB LED
- Glare control: <19
- Symmetrical distribution: 15°, 25°, 40°
- Outer trim: Ø80mm x Height 230mm
- Ingress protection rating: IP44 (From underside)
- Luminaire finishes: White, Black, Custom⁴
- Baffle options: White, Black, Gold
- Longevity: >50,000Hrs L80 B10
- Driver: Non-dimmable LED driver as standard
- Dimming: DALI-2, BLE (basicDIM Wireless / Casambi) on request⁴
- Weight: 695g (inc. non-dimmable driver)
- Warranty: 5 years⁵

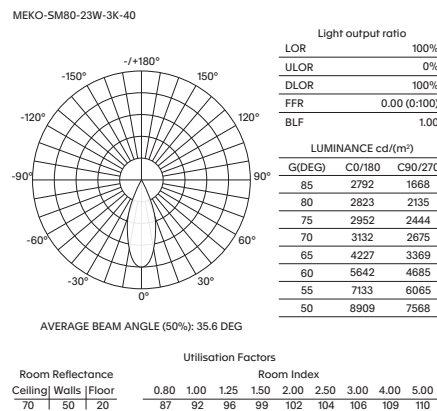
Model	Luminous Flux ²	LED Wattage	System Wattage	CCT	CRI ³	Distribution
MEKO-SM80-23W-3K-15	2321Lm	23W	25W	3000K	>90	15°
MEKO-SM80-23W-4K-15	2558Lm	23W	25W	4000K	>90	15°
MEKO-SM80-23W-3K-25	2257Lm	23W	25W	3000K	>90	25°
MEKO-SM80-23W-4K-25	2513Lm	23W	25W	4000K	>90	25°
MEKO-SM80-23W-3K-40	2228Lm	23W	25W	3000K	>90	40°
MEKO-SM80-23W-4K-40	2616Lm	23W	25W	4000K	>90	40°

For Non-dimming add suffix ND
For DALI-2 dimming add suffix D
For BLUETOOTH dimming add suffix BT

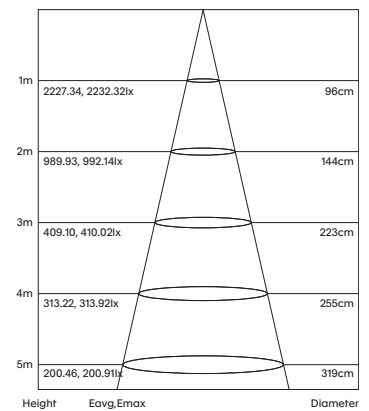
Example product order code configuration: MEKO-SM80-23W-4K-40-ND-(WH/BK)

Model	Wattage	CCT	Distribution	Driver	Luminaire Finish / Baffle Finish					
MEKO-SM80	+	23W	+	4K	+	25	+	ND	+	WH/BK

Light Distribution



Cone Diagram



1 Luminaire efficacy based on 3000K; CCT variation will alter efficacy
2 +/- 10% stated initial LED luminous flux tolerance
3 Colour Rendering Index: >90 Standard (CREE COB Series)
4 Charges apply for non-standard colour/s and dimming options
5 Five year manufacturer's warranty covering product defects and performance deficiencies