

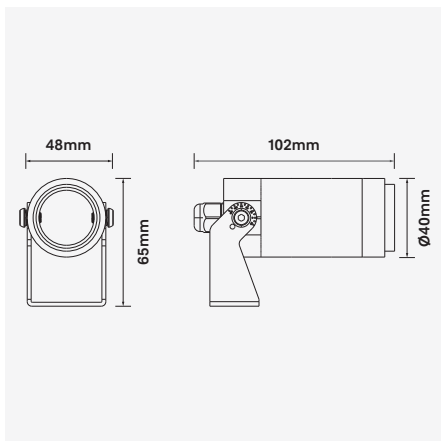
## Solaris-SP40

### 5W Adjustable Landscape Luminaire



Luminaire Finishes

■ Iron Grey (GR) ■ Black (BK)



#### Accessories

**SPIKE-PC**  
Landscape Polycarbonate spike  
Ø38mm x Length 160mm  
Black surface finish



**SOLARIS-SP40-AG-GR**  
Solaris anti-glare hood  
Ø40mm x Length 30mm  
Iron grey surface finish



**SOLARIS-SP40-AG-BK**  
Solaris anti-glare hood  
Ø40mm x Length 30mm  
Black surface finish



WATTAGE 5W
3-Step
CRI (Ra) >90
30° / 45°
IP 67
CE
WARRANTY 5YR

VOLTAGE 24VDC
Surface

Solaris forms part of the architectural landscape series providing symmetrical illumination in any residential, commercial or public spaces. High class design makes for a minimalist appearance, perfect to blend into its environment.

Quality construction with high precision machining ensures a perfect mechanical fit. Integral thermal management system for extended life. Triple layered coating for high corrosion resistance. Extra low voltage ensures no risk of electrical shock. Intergrating class leading Citizen LED technology with high colour rendering enhancing colours within the area. Solaris-SP series offers a 5 year warranty.

- Luminaire wattage: 5W (System 5.5W)
- Luminous flux: 504-595Lm<sup>2</sup>
- Luminaire efficacy: 91.64Lm/W<sup>1</sup>
- Correlated colour temperature: 3000K, 4000K
- Colour rendering index: >90 standard
- Mac-Adams Ellipse: 3-SDCM
- LED brand: Citizen COB LED
- Symmetrical distribution: 30°, 45°
- Outer trim Ø40mm x Length 102mm x Height 65mm
- Ingress protection rating: IP67 standard
- Luminaire finishes: Iron Grey, Black
- Longevity: >50,000Hrs L80 B10
- Working voltage: 24VDC
- Driver: Requires Remote 24VDC LED driver
- Weight: 290g (excluding driver)
- Warranty: 5 years<sup>4</sup>

Model	LED Output <sup>2</sup>	Luminous Flux <sup>2</sup>	LED Wattage	System Wattage	CCT	CRI <sup>3</sup>	Distribution
SOLARIS-SP40-3K-5W-30	650Lm	504Lm	5W	5.5W	3000K	>90	30°
SOLARIS-SP40-3K-5W-45	650Lm	490Lm	5W	5.5W	3000K	>90	45°
SOLARIS-SP40-4K-5W-30	750Lm	577Lm	5W	5.5W	4000K	>90	30°
SOLARIS-SP40-4K-5W-45	750Lm	595Lm	5W	5.5W	4000K	>90	45°

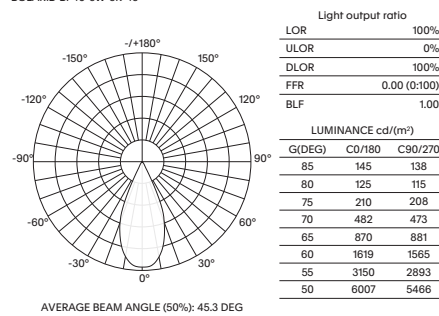
For Non-dimming add suffix ND

Example product order code configuration: SOLARIS-SP40-5W-3K-30-ND-(GR)

Model	Wattage	CCT	Distribution	Driver	Luminaire Finish					
SOLARIS-SP40	+	5W	+	3K	+	30	+	ND	+	GR

#### Light Distribution

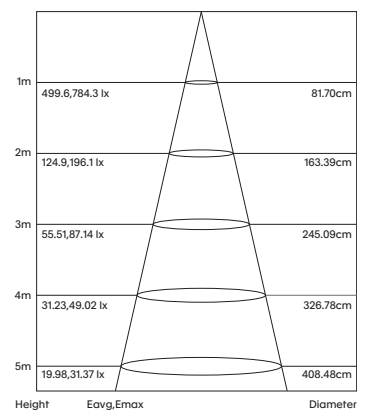
SOLARIS-SP40-5W-3K-45



Utilisation Factors

Room Reflectance	Room Index										
Ceiling   Walls   Floor	0.80	1.00	1.25	1.50	2.00	2.50	3.00	4.00	5.00		
70   50   20	88	93	97	100	103	105	107	109	111		

#### Cone Diagram



1 Luminaire efficacy based on CCT 3000K; CCT variation will alter efficacy  
 2 +/- 10% stated initial LED and luminous flux tolerance  
 3 Colour Rendering Index: >90 Standard (Citizen COB Series)  
 4 Five year manufacturer's warranty covering product defects and performance deficiencies