

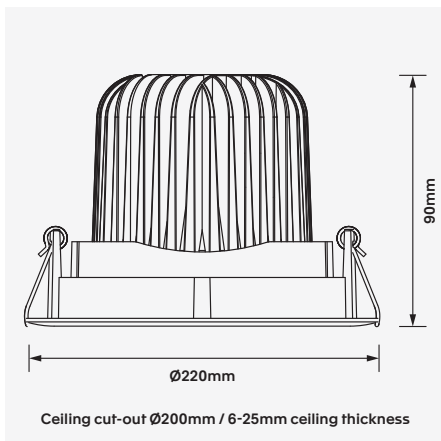
## Carter-F200

### 35W Fixed IP Rated LED Recessed Downlight



Luminaire Finishes

White (WH)     Black (BK)     Custom



Ceiling cut-out Ø200mm / 6-25mm ceiling thickness

WATTAGE 35W	Ø 200	UGR <19	Bluetooth	Z	bati	CE	WARRANTY 5YR
3-Step	CRI (Ra) >83	70°	IP 65				

IP65 rated, recessed, LED luminaire series with a deep set light source, providing symmetrical low glare distribution and efficient performance. Suitable for interior or exterior applications, it is available in a range of wattage/lumen packages and various dimming options.

With a die-cast aluminium housing and aluminium reflector, it is available in black, white and custom finishes. Integrating Zhaga compliant Citizen LED technology with Tridonic control gear, the Carter series comes with a 5 year warranty.

- Luminaire wattage: 35W (System 39W)
- Luminous flux: 3235-3737Lm<sup>2</sup>
- Luminaire efficacy: 82.30Lm/W<sup>1</sup>
- Correlated colour temperature: 3000K, 4000K
- Colour rendering index: >83<sup>3</sup>
- Mac-Adams Ellipse: 3-SDCM
- LED brand: Citizen COB LED
- Glare control: UGR<19
- Symmetrical distribution: 70°
- Outer trim Ø220mm; Ceiling cut-out Ø200mm
- Ingress protection rating: IP65 standard (Complete)
- Luminaire finishes: White; Black; Custom optional<sup>4</sup>
- Longevity: >50,000Hrs L80 B10
- Driver: Tridonic non-dimmable as standard
- Dimming: DALI-2, BLE (basicDIM Wireless / Casambi) on request<sup>4</sup>
- Weight: 1.35kg (excluding driver)
- Warranty: 5 years<sup>5</sup>

Model	LED Output <sup>2</sup>	Luminous Flux <sup>2</sup>	LED Wattage	System Wattage	CCT	CRI <sup>3</sup>	Distribution
CARTER-F200-35W-3K	3900Lm	3235Lm	35W	39W	3000K	>83	70°
CARTER-F200-35W-4K	4480Lm	3737Lm	35W	39W	4000K	>83	70°

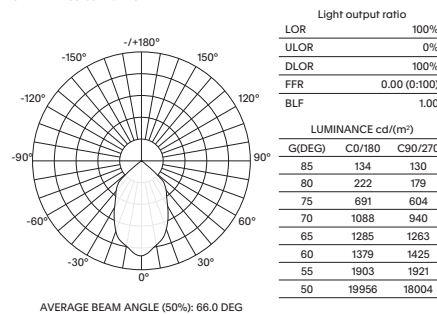
For Non-dimming add suffix ND  
For DALI-2 dimming add suffix D  
For BLUETOOTH dimming add suffix BT

Example product order code configuration: CARTER-F200-35W-3K-70-D-(WH)

Model	Wattage	CCT	Distribution	Driver	Luminaire Finish					
CARTER-F200	+	35W	+	3K	+	70	+	D	+	WH

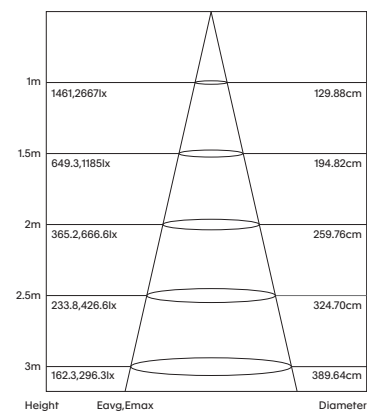
#### Light Distribution

CARTER-F200-35W-3K-70



Utilisation Factors		Room Index								
Room Reflectance		0.80	1.00	1.25	1.50	2.00	2.50	3.00	4.00	5.00
Ceiling	70	78	85	91	95	100	102	104	107	109
Walls	50									
Floor	20									

#### Cone Diagram



1 Luminaire efficacy based on CCT 3000K; CCT variation will alter efficacy  
2 +/- 10% stated initial LED and luminous flux tolerance  
3 Colour Rendering Index: >83 Standard (Citizen COB series)  
4 Additional charges apply for non-standard colour/s and dimming options  
5 Five year manufacturer's warranty covering product defects and performance deficiencies