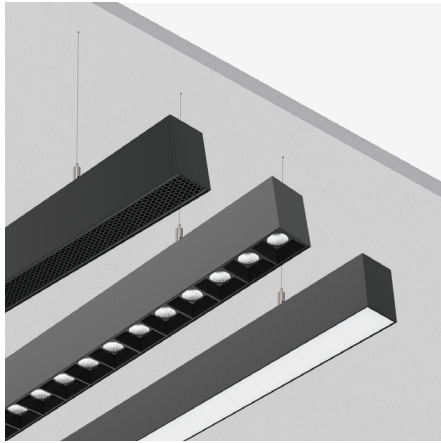
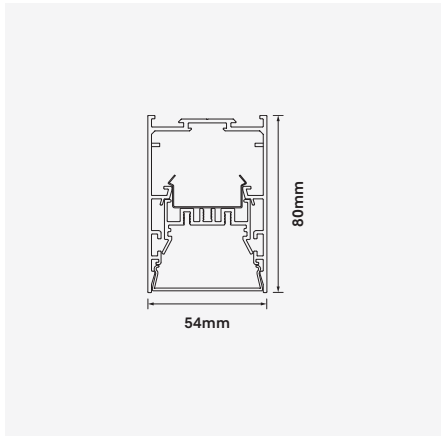


Morph-50-SUS

Suspended Mounted Linear LED Profile



Luminaire Finishes



Diffuser options

Opal PC (OP)
Opal Polycarbonate



Micro prismatic (UGR)
Low UGR<19 Diffuser



Honeycomb (HC)



Accessories

6-Cell module (CELL)
15°, 30°, 45°



Emergency module (EM)
Classification C0/D90, D40/D40



Sensor (SEN)
Ambient light sensor and motion sensor



WATTAGE 11W-28W
 CRI (Ra) >85
 IP 44
 Bluetooth
 3-Step
 110°
 Emergency
 Sensor
 Suspended
 WARRANTY 5YR

Morph-50 LED linear lighting system is a configurable lighting system that uses customisable linear profiles, inserts and accessories to create unique application specific luminaires. The system gives engineers, designers and contractors the ability to create different lighting scenarios and environments in a single luminaire design. It is available as standard in a diffused zero dot LED PMMA diffuser for low visual glare. A single low glare downlight or multiple cell insert can also be integrated into the system to provide a fixed light point or even point source dispersion.

Regardless of the configuration Morph-50 can be wire or rod suspended for a range of applications. The Morph-50 integrates Vossloh Schwabe LEDs and controls, plus optional DALI-2 or Bluetooth dimming. Systems are backed by a 5 year warranty.

- Luminaire wattage/m: 11W, 19W, 28W (System 13W, 22W, 32W)
- Luminous flux/m: 1708-1820Lm, 3093-3180Lm, 3808-4088Lm²
- Luminaire efficacy/m: 140Lm/W, 144.54Lm/W, 127.75Lm/W¹
- LED working current: 150mA, 250mA, 350mA
- Correlated colour temperature: 3000K, 4000K, 5000K
- Colour rendering index: >85³
- Mac-Adams Ellipse: 3-SDCM
- LED Brand: Vossloh-Schwabe (Nichia SMD)
- LED mounting: Zhaga compliant mounting
- Longevity: >72,000Hrs L80 B10
- Diffuser options: Opal PMMA, Low UGR <19 Micro-prismatic, Honeycomb louvre⁴
- Distribution: 110° opal diffuser, 70° micro-prismatic
- Ingress protection rating: IP44
- Luminaire finish: White, Black, Silver, Custom⁴
- Luminaire dimensions: Width 54 x Height 80mm
- Driver: Non-Dimmable Vossloh-Schwabe LED driver as standard
- Dimming: DALI-2, BLE (Casambi) on request⁴
- Accessories: Emergency, occupancy sensor, 6-Cell modules⁴
- Weight/m: 2.40Kg (inc. non-dimmable)
- Warranty: 5 years⁵

Model	LED Output/m ²	Luminous Flux/m ²	LED Wattage/m	System Wattage/m	CCT	CRI ³	Distribution	Current
MORPH-50-X-11W-3K	2135Lm	1708Lm	11W	13W	3000K	>85	110°	150mA
MORPH-50-X-11W-4K	2275Lm	1820Lm	11W	13W	4000K	>85	110°	150mA
MORPH-50-X-11W-5K	2275Lm	1820Lm	11W	13W	5000K	>85	110°	150mA
MORPH-50-X-19W-3K	3465Lm	3093Lm	19W	22W	3000K	>85	110°	250mA
MORPH-50-X-19W-4K	3710Lm	3180Lm	19W	22W	4000K	>85	110°	250mA
MORPH-50-X-19W-5K	3710Lm	3180Lm	19W	22W	5000K	>85	110°	250mA
MORPH-50-X-28W-3K	4760Lm	3808Lm	28W	32W	3000K	>85	110°	350mA
MORPH-50-X-28W-4K	5110Lm	4088Lm	28W	32W	4000K	>85	110°	350mA
MORPH-50-X-28W-5K	5110Lm	4088Lm	28W	32W	5000K	>85	110°	350mA

For Non-dimming add suffix ND
For DALI-2 dimming add suffix D
For BLUETOOTH dimming add suffix BT

Replace X with WSUS for wire suspension
Replace X with RSUS for rod suspension

Example product order code configuration: MORPH-50-WSUS-11W-4K-D-(WH/HC)

Model	Suspension type	Wattage/m	CCT	Driver	Luminaire Finish / Diffuser
MORPH-50	+ WSUS	+ 11W	+ 4K	+ D	+ WH/HC

1 Luminaire efficacy based on CCT 4000K; CCT variation will alter efficacy
 2 +/- 10% stated initial LED and luminous flux tolerance
 3 Colour Rendering Index; >85 Standard (Nichia SMD LED series)
 4 Charges apply for non-standard colour/s, accessories and dimming options
 5 Five year manufacturer's warranty covering product defects and performance deficiencies

Morph-50-SUS

Suspended Mounted Linear LED Profile

Accessories (Continued)

Wire Suspension Kit (WSUS)
Part No: SUSKIT-3M-SIL
Colour: Silver
Length: 3m Adjustable



Wire Suspension Kit (WSUS)
Part No: SUSKIT-3M-BLK
Colour: Black
Length: 3m Adjustable



Rod Suspension Kit (RSUS)
Part No: ROD-SUS-KIT-1M-WHT
Colour: White
Length: 1m Adjustable

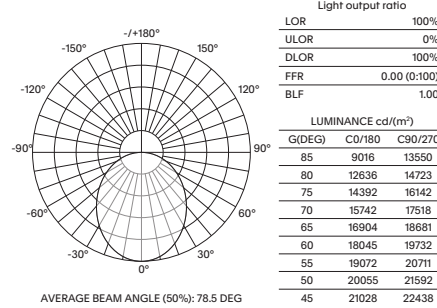


Rod Suspension Kit (RSUS)
Part No: ROD-SUS-KIT-1M-BLK
Colour: Black
Length: 1m Adjustable

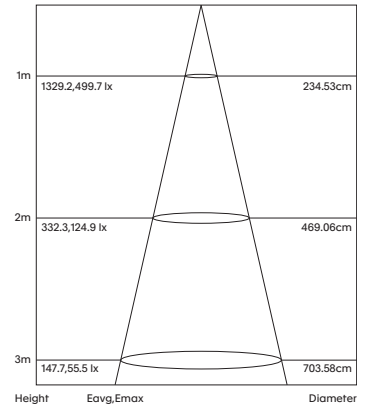


Light Distribution

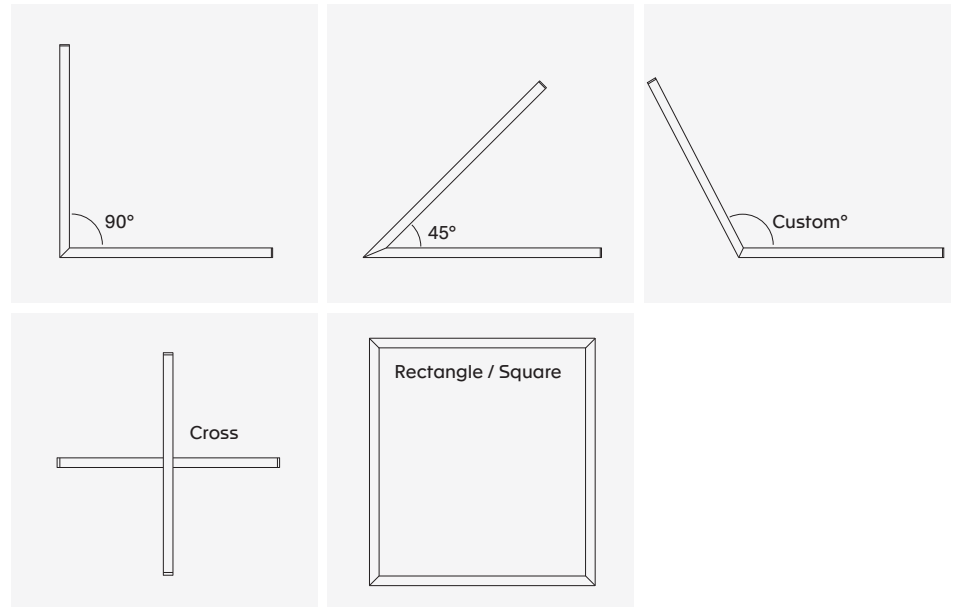
MORPH-50-28W-4K



Cone Diagram



Custom profile configuration



- 1 Luminaire efficacy based on CCT 4000K; CCT variation will alter efficacy
- 2 +/- 10% stated initial LED and luminous flux tolerance
- 3 Colour Rendering Index; >85 Standard (Nichia SMD LED series)
- 4 Charges apply for non-standard colour/s, accessories and dimming options
- 5 Five year manufacturer's warranty covering product defects and performance deficiencies