

Recco-A45S

4W Adjustable LED Square Recessed Downlight

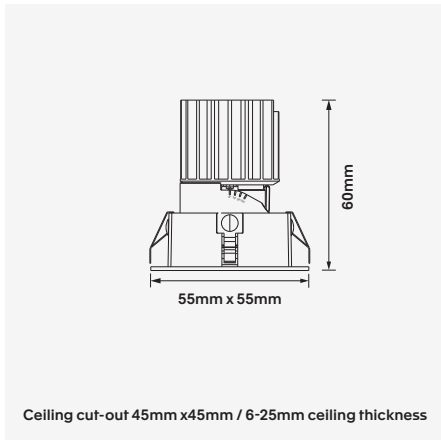


Luminaire Finishes

White (WH) Black (BK)

Interchangeable Baffle Finishes

White (WH) Black (BK) Matt (MT)



Accessories

RECCO-A45S-HC
Honeycomb mesh



WATTAGE 4W
18° / 24° / 35° / 50°
Bluetooth
Zhaga
CE
WARRANTY 5YR

3-Step
45 x 45
355° 30°
CRI (Ra) >90
IP 20
UGR <16

Adjustable recessed LED architectural luminaire series providing low-glare light distribution with a unique mechanism for uniform and precise angle adjustment and spring-load pushback for easy installation. Driven by high quality and versatile design, the Recco adjustable LED downlight series offers optimised and efficient performance with a vast range of cut-out and wattage/lumen packages. It is available in a range of colour temperatures, beam angles and secondary reflector finishes to suit a multitude of applications.

Recco offers various dimming options and an additional anti-glare honeycomb reflector accessory. The fitting is made from a die-cast aluminium housing with high purity aluminium primary reflector and high-grade polycarbonate secondary reflector. Integrating Zhaga compliant Citizen LED technology with Tridonic control gear, the Recco-A series offers a 5 year warranty.

- Luminaire wattage: 4W (System 6W)
- Luminous flux: 350-380Lm²
- Luminaire efficacy: 58.33Lm/W¹
- Correlated colour temperature: 3000K, 4000K
- Colour rendering index: >90³
- Mac-Adams Ellipse: 3-SDCM
- LED brand: Cree SMD LED
- Glare control: UGR<16
- Symmetrical distribution: 18°, 24°, 35°, 50°
- Outer Trim W55mm x L55mm;
- Ceiling cut-out W45mm x L45mm
- Adjustability: ±30° Tilt, 355° Rotation
- Ingress protection rating: IP20
- Luminaire finishes: White, Black
- Baffle Options: White, Black, Matt⁴
- Longevity: >50,000Hrs L80 B10
- Driver: Tridonic non-dimmable as standard
- Dimming: DALI-2, BLE (basicDIM Wireless / Casambi) on request⁴
- Weight: 85g (excluding driver)
- Warranty: 5 years⁵

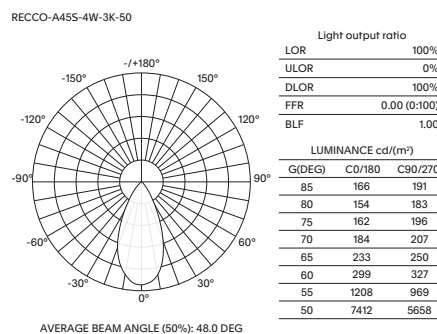
Model	LED Output ²	Luminous Flux ²	LED Wattage	System Wattage	CCT	CRI ³	Distribution
RECCO-A45S-4W-3K	500Lm	350Lm	4W	6W	3000K	>90	18°, 24°, 35°, 50°
RECCO-A45S-4W-4K	550Lm	380Lm	4W	6W	4000K	>90	18°, 24°, 35°, 50°

For Non dimming add suffix ND
For DALI-2 dimming add suffix D
For BLUETOOTH dimming add suffix BT

Example product order code configuration: RECCO-A45S-4W-3K-50-D-(WH/MT)

Model	Wattage	CCT	Distribution	Driver	Luminaire Finish / Baffle Finish					
RECCO-A45S	+	4W	+	3K	+	50	+	D	+	WH/MT

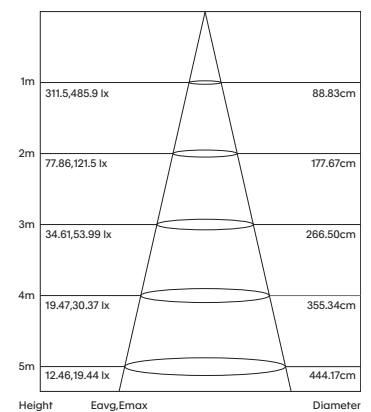
Light Distribution



Utilisation Factors

Room Reflectance	Room Index									
Ceiling Walls Floor	0.80	1.00	1.25	1.50	2.00	2.50	3.00	4.00	5.00	
70 50 20	89	93	98	101	104	105	107	110	111	

Cone Diagram



1 Luminaire efficacy based on CCT 3000K; CCT variation will alter efficacy
2 +/- 10% stated initial LED and luminous flux tolerance
3 Colour Rendering Index: >90 Standard (Cree SMD Series)
4 Additional charges apply for non-standard colour/s and dimming options
5 Five year manufacturer's warranty covering product defects and performance deficiencies