

## Warp-SM70

### 9W Adjustable Surface Mount Downlight

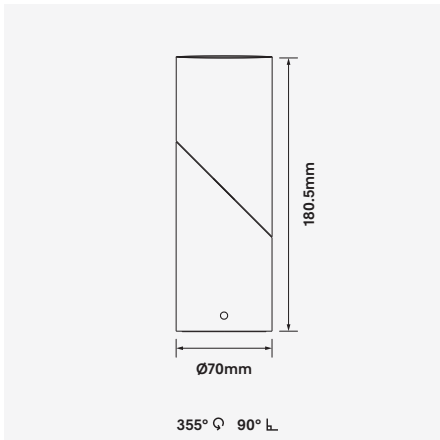


Luminaire Finishes

White (WH)  Black (BK)

Baffle Finish

Black (BK)



WATTAGE 9W
CRI (Ra) >90
UGR <19
Bluetooth
Z
BAIT
CE
WARRANTY 5YR

3-Step
18° / 22° / 36°
355° 90°
IP 20
Surface

Surface mounted adjustable LED architectural luminaire that can be rotated 355° and tilted up to 90° to provide flexibility and versatility in a range of applications. With a deep-set light source and symmetrical distribution the Warp is small, discrete and minimal by design.

With a die-cast aluminium construction it is available in standard matte white and solid black surface finishes with a black internal baffle. The Warp-SM70 integrates Citizen COB LED technology and a non-dimmable driver as standard with optional DALI-2 or Bluetooth dimming. The Warp series offers a 5 year warranty.

- Luminaire wattage: 9W (System 12W)
- Luminous flux: 607-698Lm<sup>2</sup>
- Luminaire efficacy: 57.19Lm/W<sup>1</sup>
- Correlated colour temperature: 2700K, 3000K, 4000K
- Colour rendering index: >90<sup>3</sup>
- Mac-Adams Ellipse: 3-SDCM
- LED type: COB LED
- Glare control: <19
- Symmetrical distribution: 18°, 22°, 36°
- Outer trim: Ø70mm x Height 180.5mm
- Ingress protection rating: IP20
- Luminaire finishes: White, Black
- Baffle options: Black
- Longevity: >50,000Hrs L80 B10
- Driver: Non-dimmable as standard
- Dimming: Remote DALI-2, BLE (basicDIM Wireless / Casambi) on request<sup>4</sup>
- Weight: 650g (inc. non-dimmable driver)
- Warranty: 5 years<sup>5</sup>

Model	LED Output <sup>2</sup>	Luminous Flux <sup>2</sup>	LED Wattage	System Wattage	CCT	CRI <sup>3</sup>	Distribution
WARP-SM70-9W-27K	940Lm	607Lm	9W	12W	2700K	>90	18°, 22°, 36°
WARP-SM70-9W-3K	1009Lm	652Lm	9W	12W	3000K	>90	18°, 22°, 36°
WARP-SM70-9W-4K	1080Lm	698Lm	9W	12W	4000K	>90	18°, 22°, 36°

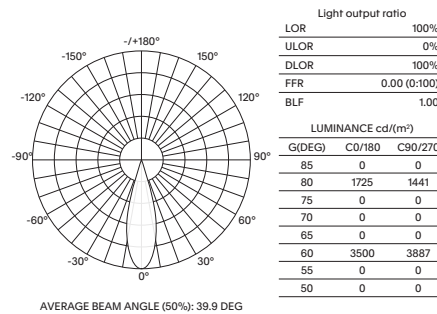
For Non-dimming add suffix ND  
For DALI-2 dimming add suffix D  
For BLUETOOTH dimming add suffix BT

Example product order code configuration: WARP-SM70-9W-3K-36-ND-(WH/BK)

Model	Wattage	CCT	Distribution	Driver	Luminaire Finish / Baffle Finish					
WRAP-SM70	+	9W	+	3K	+	36	+	ND	+	WH/BK

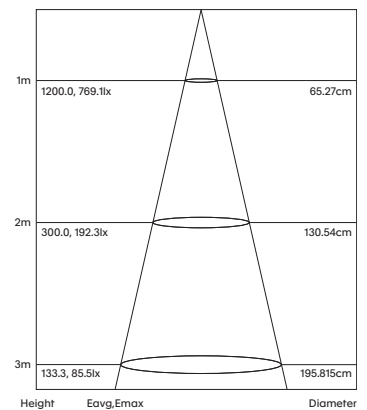
#### Light Distribution

WARP-SM70-9W-3K-36



Utilisation Factors		Room Index								
Room Reflectance	Room Index	1.00	2.00	3.00	4.00	5.00	6.00	7.00	8.00	9.00
Ceiling   Walls   Floor		1.00	0.99	0.91	0.84	0.78	0.73	0.68	0.63	0.59
	70   50   20									

#### Cone Diagram



- 1 Luminaire efficacy based on 3000K; CCT variation will alter efficacy
- 2 +/- 10% stated initial LED luminous flux tolerance
- 3 Colour rendering Index: >90 standard
- 4 Additional charges apply for non-standard colour/s and dimming options. DALI and Bluetooth dimming LED drivers are required to be mounted remotely to the luminaire
- 5 Five year manufacturer's warranty covering product defects and performance deficiencies