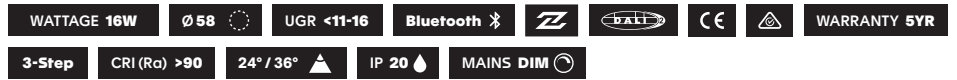
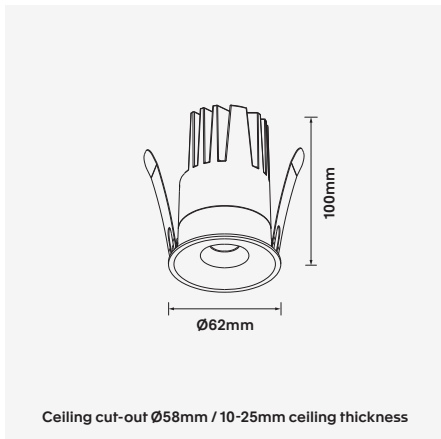
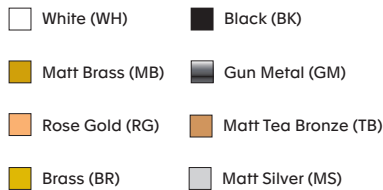


## Esprit-F58

### 16W Fixed LED Recessed Downlight



Luminaire Finishes



Esprit-F58 is a deep-set, low glare recessed LED luminaire with a unique trim design that gently recessed back to a small aperture creating a unique delicate look. Available in a range of beam angles and trim colours, it is made of high quality materials including a die-cast aluminium housing and a high quality deep-set optic lens.

Esprit's simple and efficient design allows for ease of maintenance and adaptability. It has been purpose built for various residential, hotel and commercial applications. Integrating Zhaga compliant Bridgelux LED technology, mains-dimming as standard with optional DALI-2 or BLE dimming on request. Esprit-F58 offers a 5 year warranty.

- Luminaire wattage: 16W (System 18W)
- Luminous flux: 1084-1189Lm<sup>2</sup>
- Luminaire efficacy: 63Lm/W<sup>1</sup>
- Correlated colour temperature: 2700K, 3000K, 4000K
- Colour rendering index: >90<sup>3</sup>
- Mac-Adams Ellipse: 3-SDCM
- LED Brand: Bridgelux COB LED
- Glare control: 24° UGR<11, 36° UGR<16
- Symmetrical distribution: 24°, 36°
- Outer trim Ø62mm; Ceiling cut-out Ø58mm
- Ingress protection rating: IP20
- Luminaire finishes: White, Black (standard); Matte Silver, Rose Gold, Gun Metal, Matte Tea Bronze, Brass<sup>4</sup>
- Longevity: >50,000Hrs L80 B10
- Driver: Mains-Dimmable driver as standard
- Dimming: DALI-2, BLE (basicDIM Wireless / Casambi) on request<sup>4</sup>
- Weight: 280g (excluding driver)
- Warranty: 5 years<sup>5</sup>

Model	LED Output <sup>2</sup>	Luminous Flux <sup>2</sup>	LED Wattage	System Wattage	CCT	CRI <sup>3</sup>	Distribution
ESPRIT-F58-16W-27K	1615Lm	1084Lm	16W	18W	2700K	>90	24°, 36°
ESPRIT-F58-16W-3K	1700Lm	1134Lm	16W	18W	3000K	>90	24°, 36°
ESPRIT-F58-16W-4K	1780Lm	1189Lm	16W	18W	4000K	>90	24°, 36°

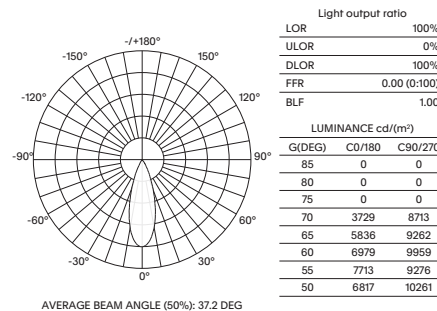
FFor Mains-Dimming add suffix MD  
For DALI-2 dimming add suffix D  
For BLUETOOTH dimming add suffix BT

Example product order code configuration: ESPRIT-F58-16W-3K-36-D-(WH)

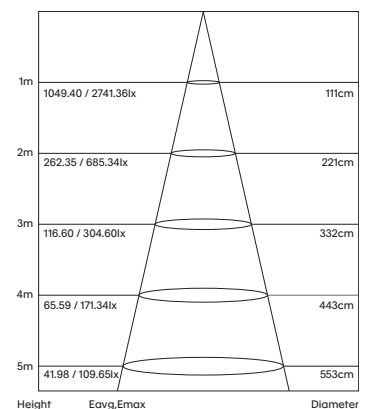
Model	Wattage	CCT	Distribution	Driver	Luminaire Finish					
ESPRIT-F58	+	16W	+	3K	+	36	+	D	+	WH

#### Light Distribution

ESPRIT-F58-16W-3K-36



#### Cone Diagram



1 Luminaire efficacy based on CCT 3000K; CCT variations will alter efficacy  
2 +/- 10% stated initial LED and luminous flux tolerance  
3 Colour Rendering Index: >90 Standard (Bridgelux COB Series)  
4 Additional charges apply for non-standard colour/s and dimming options  
5 Five year manufacturer's warranty covering product defects and performance deficiencies