

Linie-IP-F2C

4W Fixed IP Rated Recessed Linear Downlight

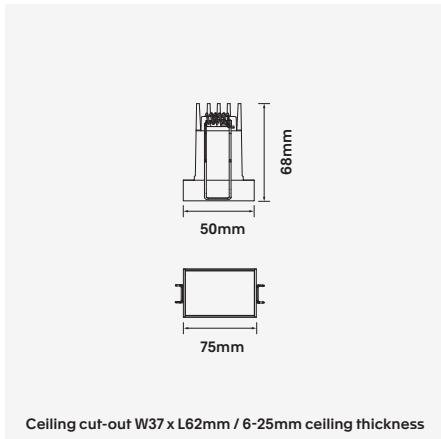


Luminaire Finishes

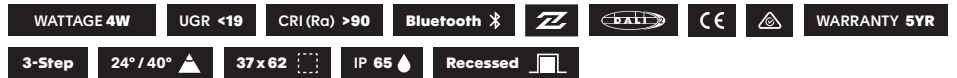
White (WH) Black (BK)

Baffle Finishes

White (WH) Black (BK) Gold (GD)
 Silver (SV)



Ceiling cut-out W37 x L62mm / 6-25mm ceiling thickness



Fixed IP65 rated recessed LED architectural downlight series provides symmetrical, low-glare light distribution within a compact, linear housing. Designed as an exterior fitting and available in multiple baffle finishes the Linie-IP is suitable for a range of environments and applications.

Features a quality constructed die-cast aluminium structure and glass lens. Integrating OSRAM LED technology with industry leading control gear, the Linie-IP series comes with a 5 year warranty.

- Luminaire wattage: 4W (System 6W)
- Luminous flux: 290-310Lm²
- Luminaire efficacy: 48.33Lm/W¹
- Correlated colour temperature: 3000K, 4000K
- Colour rendering index: >90³
- Mac-Adams Ellipse: 3-SDCM
- LED brand: Osram SMD LED
- Glare control: <19
- Symmetrical distribution: 24°, 40°
- Outer trim: Width 50mm x Length 75mm
Ceiling cut-out Width 37mm x Length 62mm
- Ingress protection rating: IP65
- Luminaire finishes: White, Black
- Baffle options: White, Black, Gold, Silver⁴
- Longevity: >50,000Hrs L80 B10
- Driver: Non-dimmable LED driver as standard
- Dimming: DALI-2, BLE (basicDIM Wireless / Casambi) on request⁴
- Weight: 185g (inc. non-dimmable driver)
- Warranty: 5 years⁵

| Model | LED Output ² | Luminous Flux ² | LED Wattage | System Wattage | CCT | CRI ³ | Distribution |
|----------------------|-------------------------|----------------------------|-------------|----------------|-------|------------------|--------------|
| LINE-IP-F2C-4W-3K-24 | 380Lm | 290Lm | 4W | 6W | 3000K | >90 | 24° |
| LINE-IP-F2C-4W-4K-24 | 400Lm | 310Lm | 4W | 6W | 4000K | >90 | 24° |
| LINE-IP-F2C-4W-3K-40 | 380Lm | 270Lm | 4W | 6W | 3000K | >90 | 40° |
| LINE-IP-F2C-4W-4K-40 | 400Lm | 290Lm | 4W | 6W | 4000K | >90 | 40° |

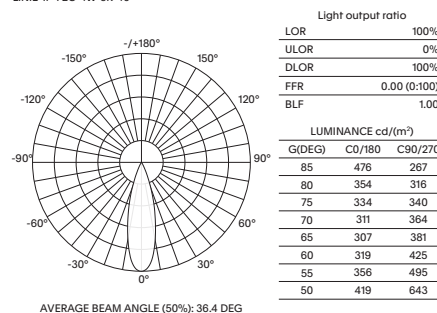
For Non-dimming add suffix ND
For DALI-2 dimming add suffix D
For BLUETOOTH dimming add suffix BT

Example product order code configuration: LINE-IP-F2C-4W-3K-40-ND-(WH/BK)

| Model | Wattage | CCT | Distribution | Driver | Luminaire Finish / Baffle Finish |
|-------------|---------|-----|--------------|--------|----------------------------------|
| LINE-IP-F2C | 4W | 3K | 40 | ND | WH/BK |

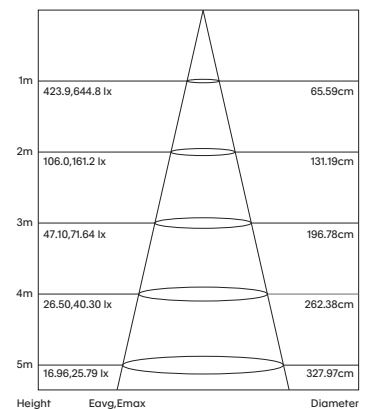
Light Distribution

LINE-IP-F2C-4W-3K-40



| Utilisation Factors | |
|-------------------------|--|
| Room Reflectance | Room Index |
| Ceiling Walls Floor | 0.80 1.00 1.25 1.50 2.00 2.50 3.00 4.00 5.00 |
| 70 50 20 | 92 96 100 103 105 107 108 110 112 |

Cone Diagram



1 Luminaire efficacy based on CCT 3000K; CCT variation will alter efficacy
2 +/- 10% stated initial LED and luminous flux tolerance
3 Colour Rendering Index; >90 Standard (Osram SMD series)
4 Charges apply for non-standard colour/s and dimming options
5 Five year manufacturer's warranty covering product defects and performance deficiencies