

## Void-F120

### 15W Fixed LED Recessed Downlight

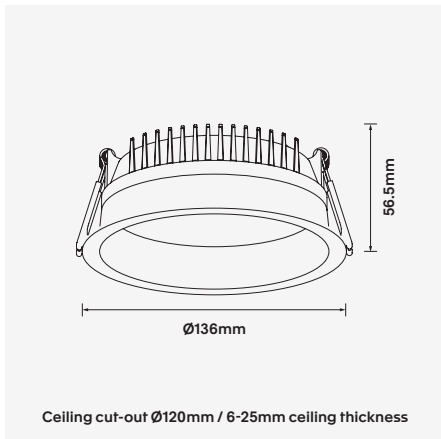


Luminaire Finishes

White (WH)  Black (BK)

Baffle Finishes

White (WH)  Black (BK)  Silver (SV)  
 Gold (GD)  Custom



Ceiling cut-out Ø120mm / 6-25mm ceiling thickness

WATTAGE 15W
90°
Ø120
UGR <19
Bluetooth
CE
WARRANTY 5YR

3-Step
CRI (Ra) >90
COI ON REQUEST
IP 44

Recessed architectural luminaire providing symmetrical, low-glare lighting distribution. The Void LED downlight series offers performance and efficiency within a slim fitting that's short enough to accommodate shallow ceiling voids. With an IP44 rating and multiple surface finishes to suit various applications it is available in a range of colour temperatures and wattage/lumen packages.

Various dimming options include DALI or BLE (Casambi) on request and is quality constructed with a micro-prismatic, low UGR diffuser and a Bridgelux SMD LED. The Void series comes with a 5 year warranty.

- Luminaire wattage: 15W (System 17W)
- Luminous flux: 1078-1110Lm<sup>2</sup>
- Luminaire efficacy: 78.94Lm/W<sup>1</sup>
- Correlated colour temperature: 3000K, 4000K
- Colour rendering index: >90 standard; COI on request<sup>3</sup>
- Mac-Adams Ellipse: 3-SDCM
- LED brand: Bridgelux SMD LED
- Glare control: UGR<19
- Symmetrical distribution: 90°
- Outer trim Ø136mm; Ceiling cut-out Ø120mm
- Ingress protection rating: IP44
- Luminaire finishes: White, Black
- Baffle Options: White, Black, Silver, Gold, Custom<sup>4</sup>
- Longevity: >50,000Hrs L80 B10
- Driver: Tridonic non-dimmable as standard
- Dimming: DALI-2, BLE (basicDIM Wireless / Casambi) on request<sup>4</sup>
- Weight: 340g (excluding driver)
- Warranty: 5 years<sup>5</sup>

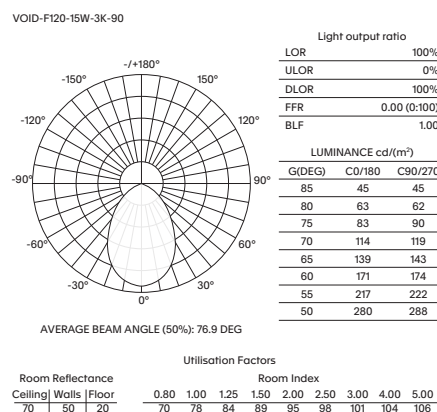
Model	LED Output <sup>2</sup>	Luminous Flux <sup>2</sup>	LED Wattage	System Wattage	CCT	CRI <sup>3</sup>	Distribution
VOID-F120-15W-3K	1270Lm	1078Lm	15W	17W	3000K	>90	90°
VOID-F120-15W-4K	1309Lm	1110Lm	15W	17W	4000K	>90	90°

For Non dimming add suffix ND  
For DALI-2 dimming add suffix D  
For BLUETOOTH dimming add suffix BT

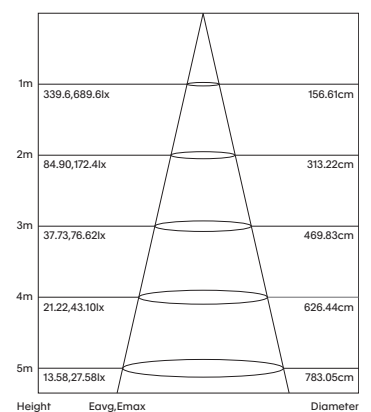
Example product order code configuration: VOID-F120-15W-3K-90-D-(WH/GD)

Model	Wattage	CCT	Distribution	Driver	Luminaire Finish / Baffle Finish					
VOID-F120	+	15W	+	3K	+	90	+	D	+	WH/GD

#### Light Distribution



#### Cone Diagram



1 Luminaire efficacy based on CCT 3000K; CCT variations will alter efficacy  
2 +/- 10% stated initial LED and luminous flux tolerance  
3 Colour Rendering Index: >90 Standard (Bridgelux SMD Series), >97 / Cyanosis Observation Index (COI) compliance on request  
Bridgelux LED series compliant to AS/NZS1680.2.5:2018; COI <3.3 and CCT 3300-5300K  
4 Additional charges apply for non-standard colour/s and dimming options  
5 Five year manufacturer's warranty covering product defects and performance deficiencies