

## Twist-M

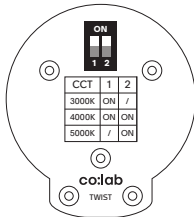
### 12W / 15W Fixed LED Recessed Downlight



Luminaire Finishes

White (WH)  Black (BK)

#### CCT Adjustable



#### Accessories

TWIST-M-Ring  
Deep-Set ring



WATTAGE 12W / 15W
Ø 125-150
3-Step
Bluetooth
CE
WARRANTY 5YR

CRI (Ra) >85
100°
IP 44
MAINS DIM

Twist is a modular fixed downlight series with an extensive range of cut-out sizes and wattages and a unique trim twist-lock design that enables versatility and functionality across a range of applications.

Suitable for new builds and ideal as a complete retro-fit downlight solution the Twist LED modules comes in 3 core sizes (small, medium and large) covering a wattage range of up to 40 Watts across the series. Each module has an IP44 rating as standard (IP54 module optional) and comprises interchangeable twist lock trims that adapt to a vast array of pre-existing ceiling cut outs.

The Twist, with its functional twist lock design is constructed of die-cast aluminium, a polycarbonate lens and integrates Osram CCT adjustable LED technology. The Twist luminaire series offers a 5 year warranty.

- Luminaire wattage: 12W, 15W (System)
- Luminous flux: 1026-1142Lm, 1233-1283Lm<sup>2</sup>
- Luminaire efficacy: 84.82Lm/W, 85.69Lm/W<sup>1</sup>
- Correlated colour temperature: 3000K, 4000K, 5000K (Dip-switch selectable)
- Colour rendering index: >85<sup>3</sup>
- Mac-Adams Ellipse: 3-SDCM
- LED brand: OSRAM SMD LED
- Symmetrical distribution: 100°
- Trim A: Outer Trim Ø145mm; Ceiling cut-out Ø125-135mm
- Trim B: Outer Trim Ø165mm; Ceiling cut-out Ø130-150mm
- Ingress protection rating: IP44
- Luminaire finishes: White; Black
- Deep-set baffle options: Black
- Longevity: >50,000Hrs L80 B10
- Driver: Mains dimmable LED driver as standard
- Dimming: DALI-2, BLE (basicDIM Wireless / Casambi) on request<sup>4</sup>
- Weight: 370g (excluding driver)
- Warranty: 5 years<sup>5</sup>

Model	Luminous Flux <sup>2</sup>	System Wattage	CCT	CRI <sup>3</sup>	Distribution	Application Frames
TWIST-M-12W-3K	1026Lm	12W	3000K	>85	100°	TWIST-MA/MB
TWIST-M-12W-4K	1142Lm	12W	4000K	>85	100°	TWIST-MA/MB
TWIST-M-12W-5K	1092Lm	12W	5000K	>85	100°	TWIST-MA/MB
TWIST-M-15W-3K	1233Lm	15W	3000K	>85	100°	TWIST-MA/MB
TWIST-M-15W-4K	1383Lm	15W	4000K	>85	100°	TWIST-MA/MB
TWIST-M-15W-5K	1321Lm	15W	5000K	>85	100°	TWIST-MA/MB

For MAINS dimming add suffix MD  
For DALI-2 dimming add suffix D  
For BLUETOOTH dimming add suffix BT

Example product order code configuration: TWIST-M-15W-3K-100-D-MB-(WH/BK)

Model	Wattage	CCT	Distribution	Driver	Frame / Luminaire Finish / Baffle Finish					
TWIST-M	+	15W	+	3K	+	100	+	D	+	MB/WH/BK

Frame Model	Frame Size	Frame Cut-Out	Finish	Image
TWIST-MA	Ø145mm	Ø125-135mm	Satin White	
TWIST-MB	Ø165mm	Ø130-150mm	Satin White	

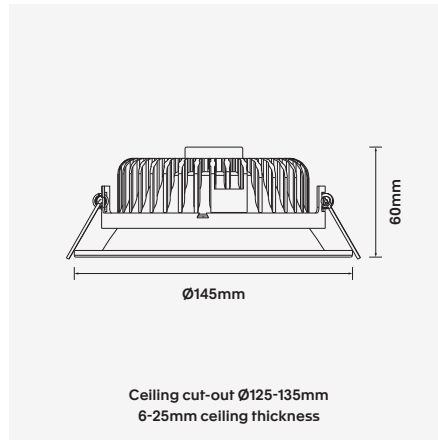
1 Luminaire efficacy based on CCT 3000K; CCT variation will alter efficacy  
2 +/- 10% stated initial LED and luminous flux tolerance  
3 Colour Rendering Index: >85 Standard (OSRAM SMD Series)  
4 Additional charges apply for non-standard colour/s and dimming options  
5 Five year manufacturer's warranty covering product defects and performance deficiencies

## Twist-M

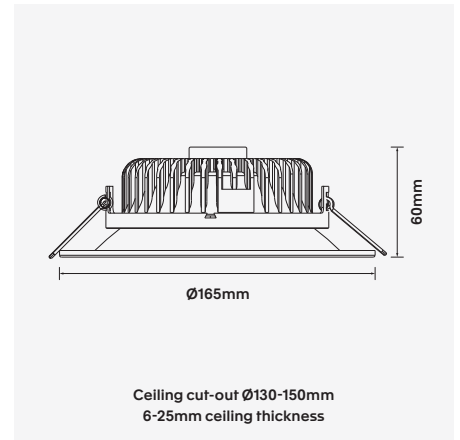
### 12W / 15W Fixed LED Recessed Downlight

#### Fixed LED Recessed Downlight options

##### TWIST-MA

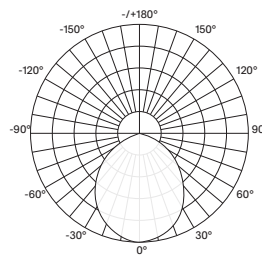


##### TWIST-MB



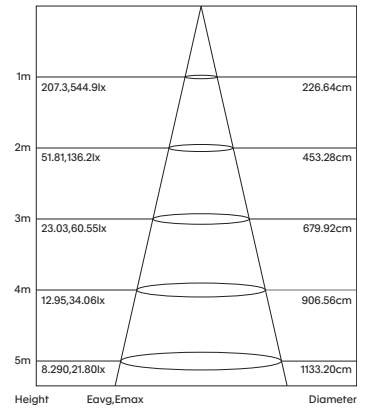
#### Light Distribution

TWIST-M-15W-3K



Light output ratio		
LOR	100%	
ULOR	0%	
DLOR	100%	
FFR	0.00 (0:100)	
BLF	1.00	
LUMINANCE cd/(m²)		
G(DEG)	C0/180	C90/270
85	7103	4526
80	9960	5388
75	16751	10903
70	23234	17535
65	28428	23365
60	32636	28189
55	36077	32199
50	38910	35579

#### Cone Diagram



- 1 Luminaire efficacy based on CCT 3000K; CCT variation will alter efficacy
- 2 +/- 10% stated initial LED and luminous flux tolerance
- 3 Colour Rendering Index: >85 Standard (OSRAM SMD Series)
- 4 Additional charges apply for non-standard colour/s and dimming options
- 5 Five year manufacturer's warranty covering product defects and performance deficiencies