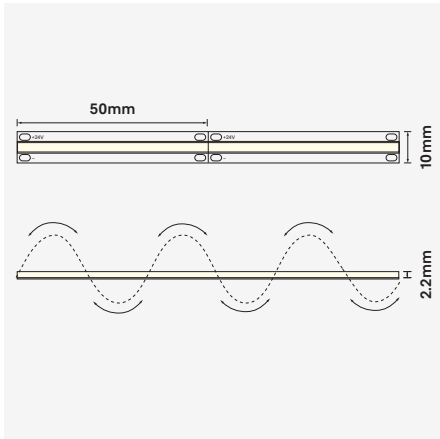


Zeroflex

10W / 15W COB Flexible LED Strip Lighting



Example profile options

GHOST-1613-SM
W 16mm x H 13mm x L Custom



GHOST-2013-SM
W 20mm x H 13mm x L Custom



GHOST-2020-SM
W 20mm x H 20mm x L Custom



GHOST-2525-SM
W 25mm x H 25mm x L Custom



GHOST-3030-SM
W 30mm x H 30mm x L Custom



WATTAGE 10W / 15W **180°** **3-Step** **Bluetooth** **BAIT** **CE** **WARRANTY 5YR**
CRI (Ra) >90 **VOLTAGE 24VDC** **SINGLE BIN** **IP 20**

Zeroflex is an efficient and versatile 24V flexible LED system that provides a continuous line of light in LED strip lighting applications, eliminating the dotting effect often associated with low wattage or specific LED strip products. Available in different wattages and colour temperatures, Zeroflex has a multitude of options. The LED strip features advanced LED technology, high colour rendering capability as standard with 3-Step-MacAdam's single binning for high colour consistency.

The Zeroflex series has a range of direct and indirect applications whether it's to illuminate interior spaces or highlight architectural features. The product has optional DALI-2 or Bluetooth Wireless dimming upon request and comes with a 5 year warranty.

- Luminaire wattage/m: 10W, 15W
- Luminous flux/m: 900-1500Lm/m²
- Luminaire efficacy: 100Lm/W¹
- Correlated colour temperature: 3000K, 4000K
- Colour rendering index: >90³
- Single Bin CCT selection
- LED Source / Quantity: COB Technology; 480pcs/m
- Symmetrical distribution: 180°
- Minimum cuttable section: 50mm
- Ingress protection rating: IP20
- Longevity: >50,000Hrs L80 B10
- Driver: Requires 24VDC constant voltage LED driver⁴
- Dimming: Remote DALI-2, BLE (basicDIM Wireless / Casambi) on request⁴
- Warranty: 5 years⁵

Model	Luminous Flux/m ²	LED Wattage/m	CCT	CRI ³	Distribution	Number of LED/m	Max. Continuous Length/m
ZEROFLEX-10W-3K	900Lm	10W	3000K	>90	180°	480	5m
ZEROFLEX-10W-4K	1000Lm	10W	4000K	>90	180°	480	5m
ZEROFLEX-15W-3K	1350Lm	15W	3000K	>90	180°	480	5m
ZEROFLEX-15W-4K	1500Lm	15W	4000K	>90	180°	480	5m

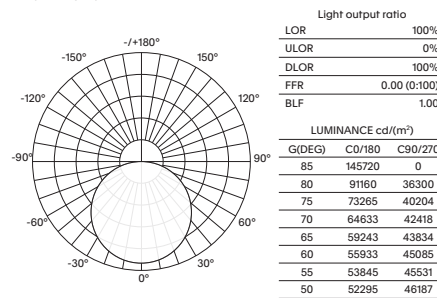
For Non-dimming add suffix ND
For DALI-2 dimming add suffix D
For BLUETOOTH dimming add suffix BT

Example product order code configuration: ZEROFLEX-10W-3K-ND

Model	Wattage	CCT	Driver
ZEROFLEX	10W	3K	ND

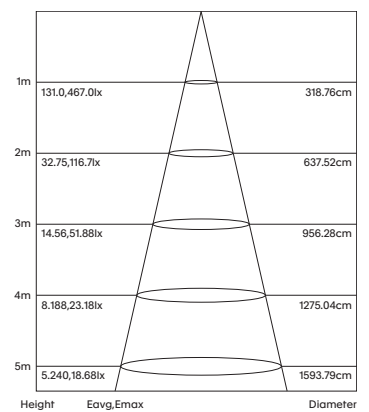
Light Distribution

ZEROFLEX-15W-3K



Room Reflectance	Room Index								
	0.80	1.00	1.25	1.50	2.00	2.50	3.00	4.00	5.00
Ceiling	70	50	20						
Walls		46	54	61	66	74	79	84	90
Floor									92

Cone Diagram



1 Luminaire efficacy based on CCT 3000K; CCT variation will alter efficacy
2 +/- 10° stated initial LED and Luminous Flux tolerance
3 Colour Rendering Index: >90 Standard
4 Additional charges apply for non-standard colour/s and dimming options
5 Five year manufacturer's warranty covering product defects and performance deficiencies