

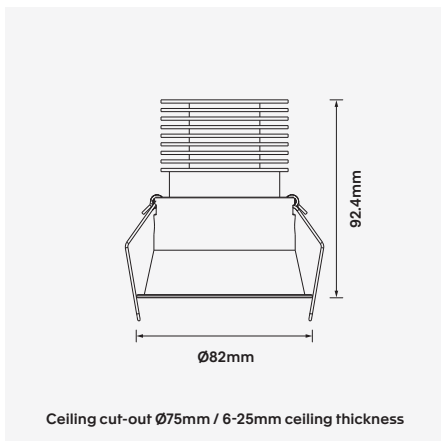
Smooth-A75

10W / 12W Adjustable LED Recessed Downlight



Luminaire Finishes

White (WH) Black (BK)



Ceiling cut-out Ø75mm / 6-25mm ceiling thickness

WATTAGE 10W / 12W
Ø75
UGR <19
Bluetooth
Z
bati
CE
WARRANTY 5YR

3-Step
CRI (Ra) >90
40° / 60°
Tilt 15°
IP 44
MAINS DIM

LED ceiling recessed luminaire providing symmetrical, low-glare light distribution. Smooth-A75 downlight offers optimised performance with a high colour rendering index as standard in a minimal designed housing. The Smooth-A75 is high powered and compact, suitable for a range of applications including residential and commercial spaces. A deep-set lamp source ensures optimal glare free performance across a variety of general indoor applications.

Smooth utilises Zhaga compliant CREE COB technology. With a standard mains dimmable LED driver with a selection of DALI-2 and Bluetooth (Casambi) dimming options on request. Smooth offers a 5 year warranty.

- Luminaire wattage: 10W, 12W (System 12W, 14W)
- Luminous flux: 994Lm, 1159Lm²
- Luminaire efficacy: 82.82Lm/W¹
- Correlated colour temperature: 3000K, 4000K
- Colour rendering index: >90³
- Mac-Adams Ellipse: 3-SDCM
- LED Brand: CREE COB LED
- Glare control: UGR<19
- Symmetrical distribution: 40°, 60°
- Outer trim Ø82mm; Ceiling cut-out Ø75mm
- Adjustability: ±15° Tilt
- Ingress protection rating: IP44 standard (From underside)
- Luminaire finishes: White, Black
- Longevity: >50,000Hrs L80 B10
- Driver: Mains dimmable LED driver as standard
- DALI-2, BLE (basicDIM Wireless / Casambi) on request⁴
- Weight: 270g (excluding driver)
- Warranty: 5 years⁵

Model	Luminous Flux ²	LED Wattage	System Wattage	CCT	CRI ³	Distribution
SMOOTH-A75-10W-3K	994Lm	10W	12W	3000K	>90	40°, 60°
SMOOTH-A75-12W-3K	1159Lm	12W	14W	3000K	>90	40°, 60°

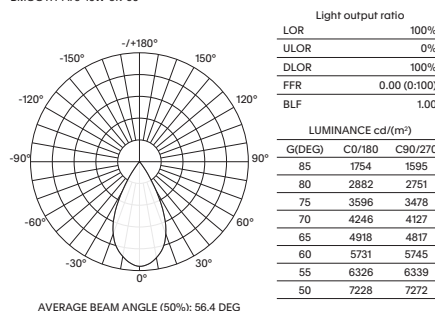
For Mains dimming add suffix MD
For DALI-2 dimming add suffix D
For BLUETOOTH dimming add suffix BT

Example product order code configuration: SMOOTH-A75-10W-3K-60-D-(WH)

Model	Wattage	CCT	Distribution	Driver	Luminaire Finish
SMOOTH-A75	10W	3K	60	D	WH

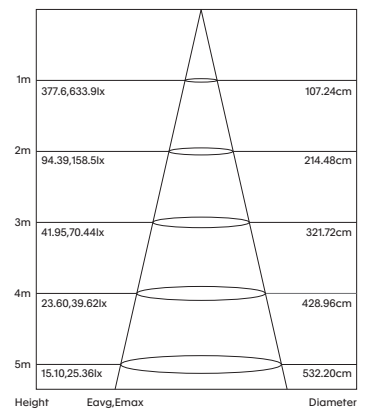
Light Distribution

SMOOTH-A75-10W-3K-60



Room Reflectance		Utilisation Factors												
Ceiling	Walls / Floor	Room Index												
0.80	1.00	1.25	1.5	2.00	2.50	3.00	4.00	5.00						
70	50	20		87	92	96	99	102	104	106	109	111		

Cone Diagram



1 Luminaire efficacy based on CCT 3000K; CCT variation will alter efficacy
2 +/- 10% stated initial LED and luminous flux tolerance
3 Colour Rendering Index: >90 Standard (CREE COB Series)
4 Additional charges apply for non-standard colour/s and dimming options
5 Five year manufacturer's warranty covering product defects and performance deficiencies